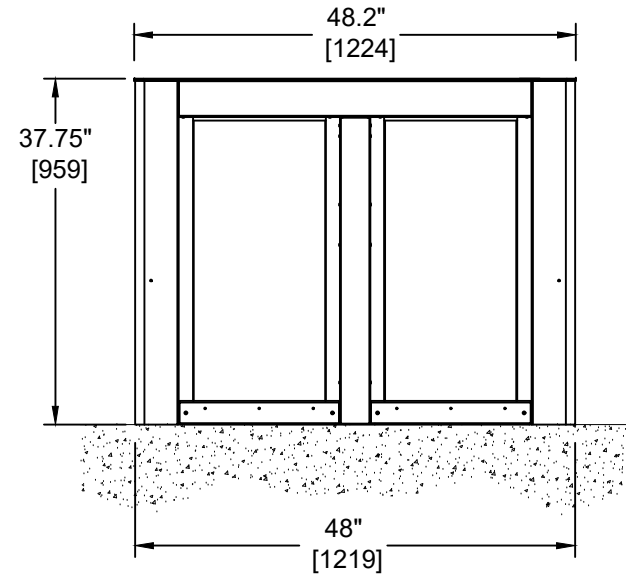
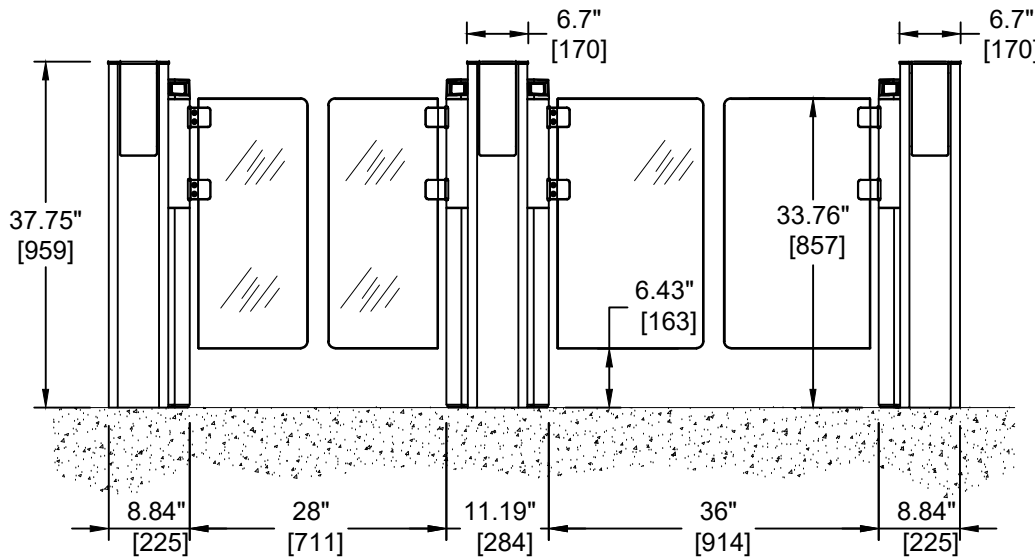
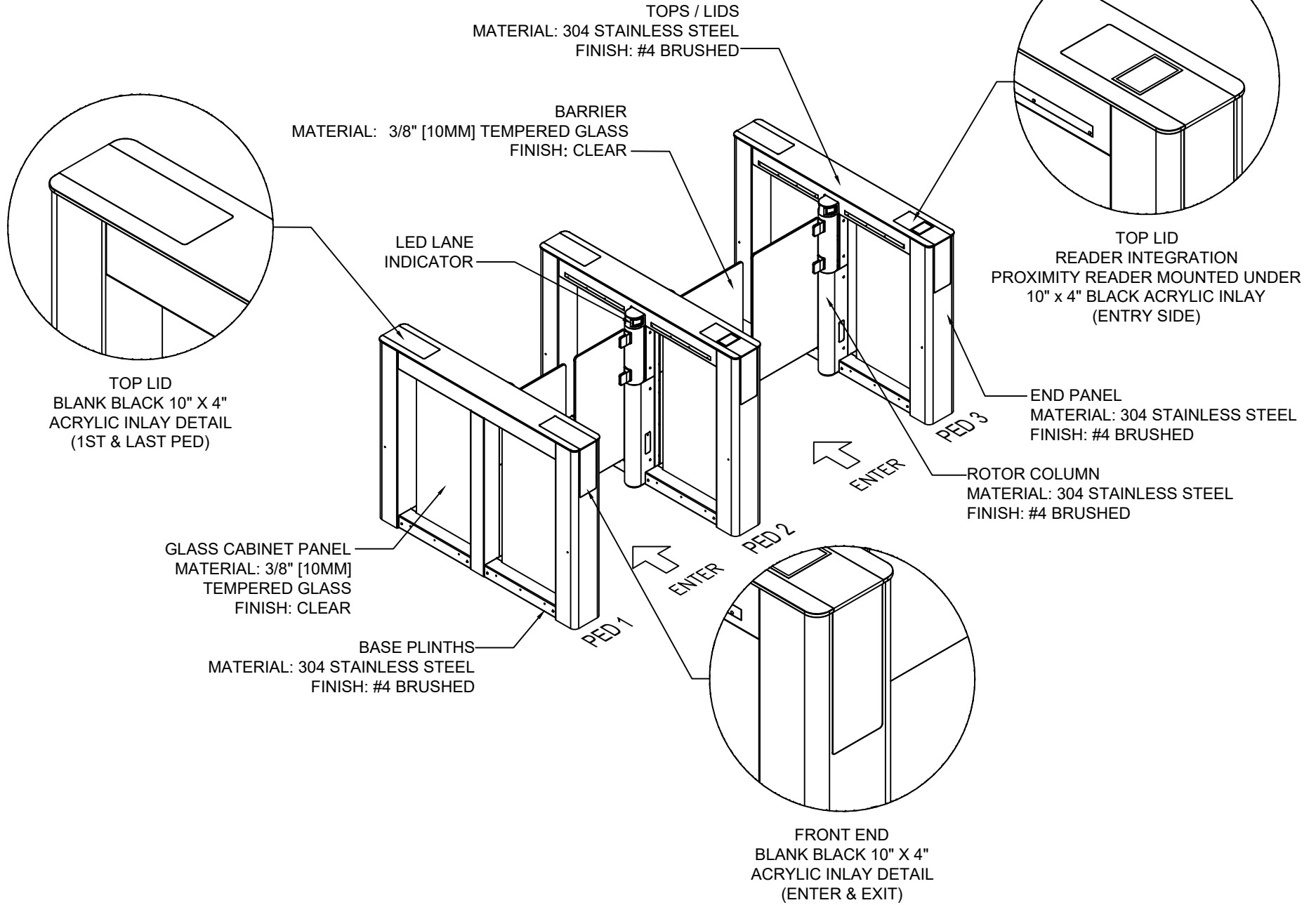


2L / 3P OPTISTILE 1080

CARD IN / FREE EXIT



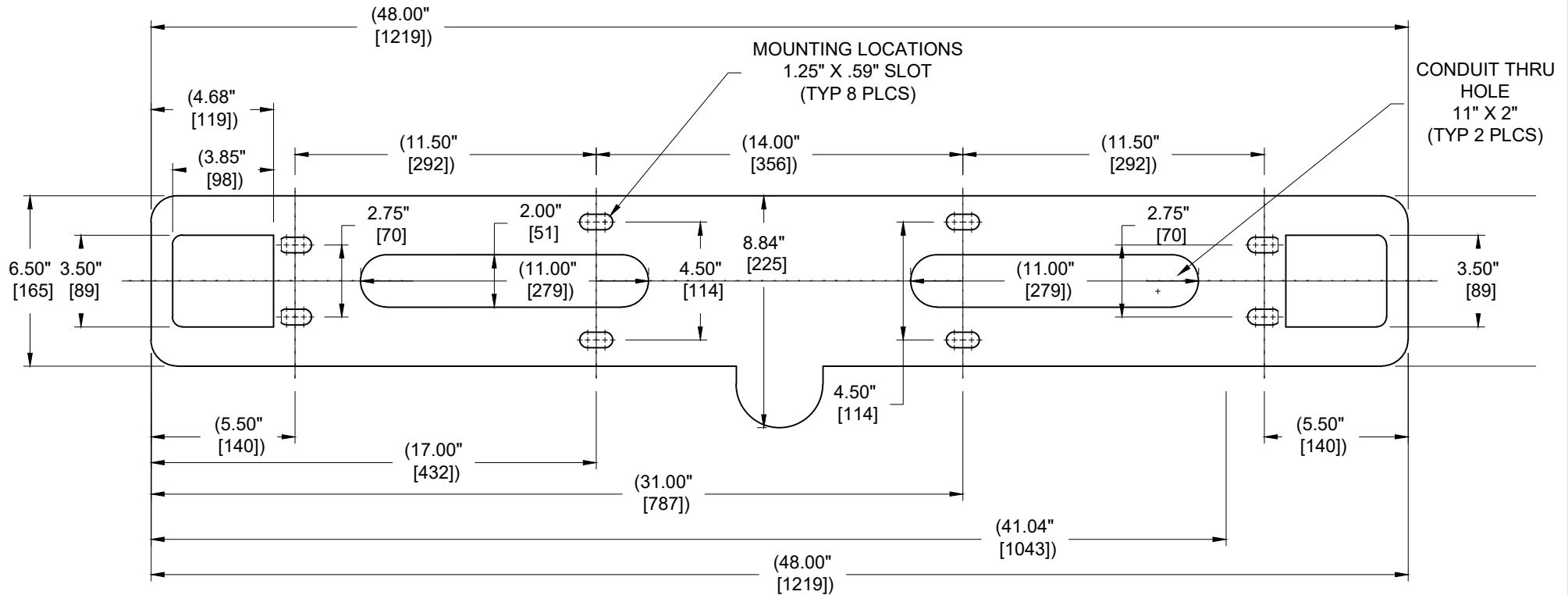
Job Name:		Date: 12/09/21
Job No: PROPOSAL	Drawn By: EC	Scale: NTS
Title: 2L / 3P OPTISTILE 1080		Dwg No. SHT-1 (REV-)



	Job Name:		Date: 12/09/21
	Job No: PROPOSAL	Drawn By: EC	Scale: NTS
	Title: 2L / 3P OPTISTILE 1080		Dwg No. SHT-2 (REV-)

MOUNTING TEMPLATE

(END PEDESTAL)



***MUST USE ALL 8 FIXING LOCATIONS**

 1" CONDUIT DATA (CABLES)

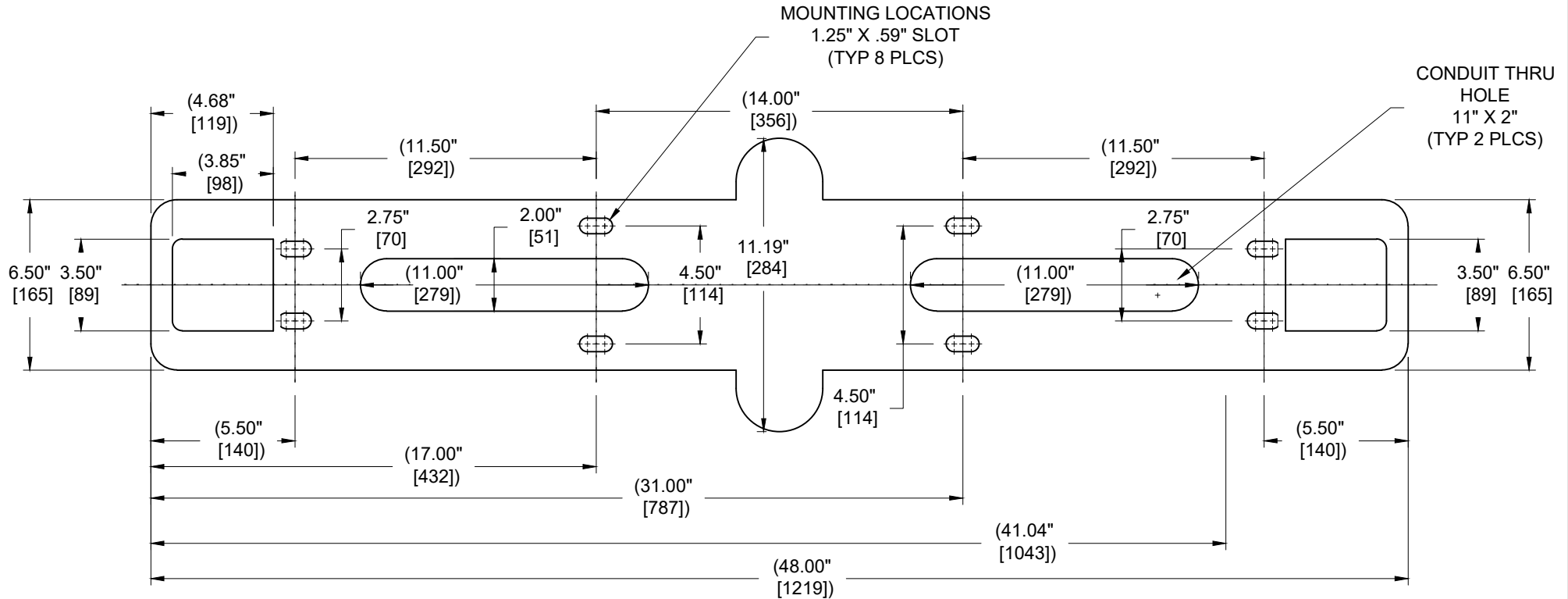
 1" CONDUIT MAINS(CABLES)



Job Name:		Date: 12/09/21
Job No: PROPOSAL	Drawn By: EC	Scale: NTS
Title: OS1080 TEMPLATE - END PEDESTAL		Dwg No. SHT-3 (REV-)

MOUNTING TEMPLATE

(CENTER PEDESTAL)



***MUST USE ALL 8 FIXING LOCATIONS**

 1" CONDUIT DATA (CABLES)

 1" CONDUIT MAINS(CABLES)



Job Name:	Date: 12/09/21	
Job No: PROPOSAL	Drawn By: EC	Scale: NTS
Title: OS1080 TEMPLATE - CENTER PEDESTAL		Dwg No. SHT-3 (REV-)