



CA CONTROLLED ACCESS, INC. Turnstiles and ADA Gates

The Tiffany™ RD70

Full Height Turnstile Interior Application

We're the #1 Choice of Top Architects, Security Pros and Engineers

For more than 30 years, Controlled Access has been the globally trusted name in pedestrian control equipment. Made in Ohio and shipped worldwide, we are the first choice of leading architects, facility managers, security consultants, and engineers. Whether your project requires high security full-height turnstiles, waist high units, or matching ADA accessible gates, Controlled Access is the secure choice. We're experienced in access control systems, from card readers to biometric scanning, to give you the power to control access.

The Tiffany™ RD70 Series is a stylish 3-vane high security portal. It is designed for locations requiring improved visitor security or as the barrier between production and office areas. Instead of a traditional physical barrier to prevent passage in the wrong direction, the RD70 comes equipped with a high tech ultrasonic sensor. This sensor allows for a full door panel appearance while still enforcing standard turnstile passage flow.

About Controlled Access:

Controlled Access manufactures the most reliable full-height turnstiles available. The High-Security Series units can be engineered to meet all your security and control requirements, and can be created as stand-alone units, or as part of an integrated system. Available in stainless steel (304 or 316), carbon steel with powder coating, or hot-dipped galvanized finish. These units can be fitted for any application with leading edge technology and features.

The Tiffany RD70 Series

Full-Height Turnstile | Interior Application

Applications:

The Monitor™ RD70 Series is a full security card access, tamper-resistant revolving door that's designed for locations requiring improved visitor security or as the barrier between production and office areas.

Product Features:

Materials & Finishes:

- Various 6061 & 6063 extruded aluminum
- 1/4" scratch-resistant tempered glass
- 7 & 11 gauge steel (mainframe/canopy)
- Anodized aluminum sheet, canopy wrap
- Finish: Standard anodizing finish is clear. Also available in dark bronze. Other colors can be quoted upon request.

Assembly & Hardware:

- Major lower components pre-assembled with concealed spring pins and solid rods
- All exposed fasteners are stainless steel
- Canopy & outer cage panels secured to concrete with 3/4" thread rods, epoxied into concrete
- Rotor pivots on a sealed load runner bearing, secured with high strength plastic coupling anchored into concrete
- Door panels and cosmetic covers secured with fat head screws
- Minimum of 6" needed above canopy in order for canopy to be removed

Dimensions:

- **Exterior Height:** 91" (2311.4mm)
- **Interior Height:** 84" (2133.6mm)
- **Diameter:** 72.284" (1836mm)
- **Pedestrian Clearance:** 29.750" (755.6mm)

Operation Features

6500 Series Control Head:

- Auto-indexing (self-centering) with adjustable hydraulic shock suppression
- Hardened tool steel locking bars, cam and roller assemblies
- Permanently lubricated bearings
- Nearly universal integration to any number of access control systems
- Your choice on each electronic direction of locking or unlocking on power failure

RD70 Specific Features:

- Ultrasonic barrier detects if a presence enters the wrong area of the portal – and in that event, the turnstile will not allow the person to advance and will reverse allowing them only to exit thru the defined "unsecure" side.
- Audible message via loop recorder when ultrasonic sensor detects a presence
- Low voltage canopy lighting

Options:

- Card reader mounting plates
- Daylight visible indicator lights
- 8 digit key resettable LCD counter with seven year lithium battery
- Metal detection portal
- Custom height decorative aluminum top
- Optical anti-tailgating
- Additional options available upon request

Warranty:

Units are warranted against defects in materials and workmanship for a period of one year from date of delivery. See warranty information for specific details.

Electrical Specifications:

Input Voltage: 100-240 VAC

Input Current: 1.3 - .55 A

Frequency: 50/60 Hz

Storage Temperature: -4 to 158°F

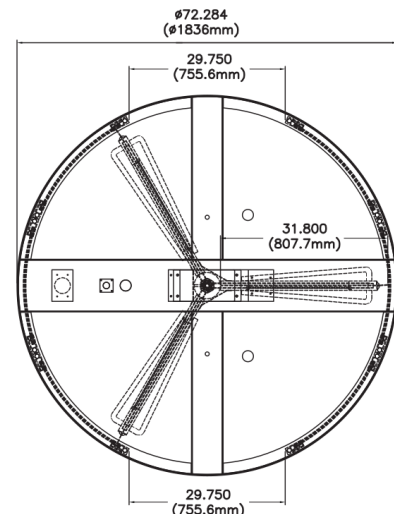
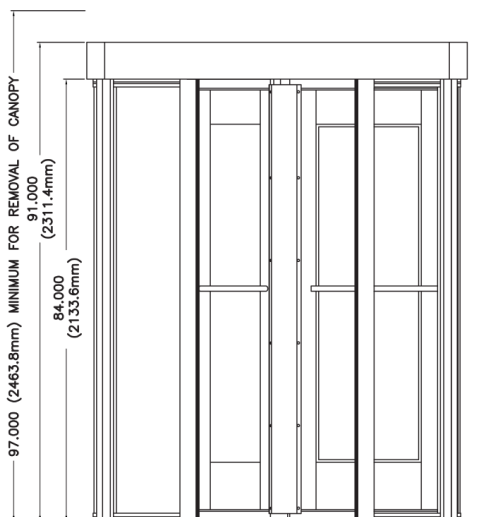
Operating Temperature: 32 to 122°F

Operating Voltage: 24VDC

Operating Current: 1.2 A (typical)



Controlled Access Inc. is certified by Advantage International Registrar to be an ISO 9001:2015 company



* Dimensions are approximate