

W Turnstile Installation Instructions

Precautions: Read this manual in its entirety before installing turnstiles. If there are any questions, call Alvarado at 909-591-8431 or 800-423-4143, Monday through Friday, 6:00 AM to 4:30PM PST.

Installation

For Vogue Style:

Materials Enclosed

- Turnstile Head
- Post (outlets optional)
- Yoke Post (outlets optional)

Tools Required

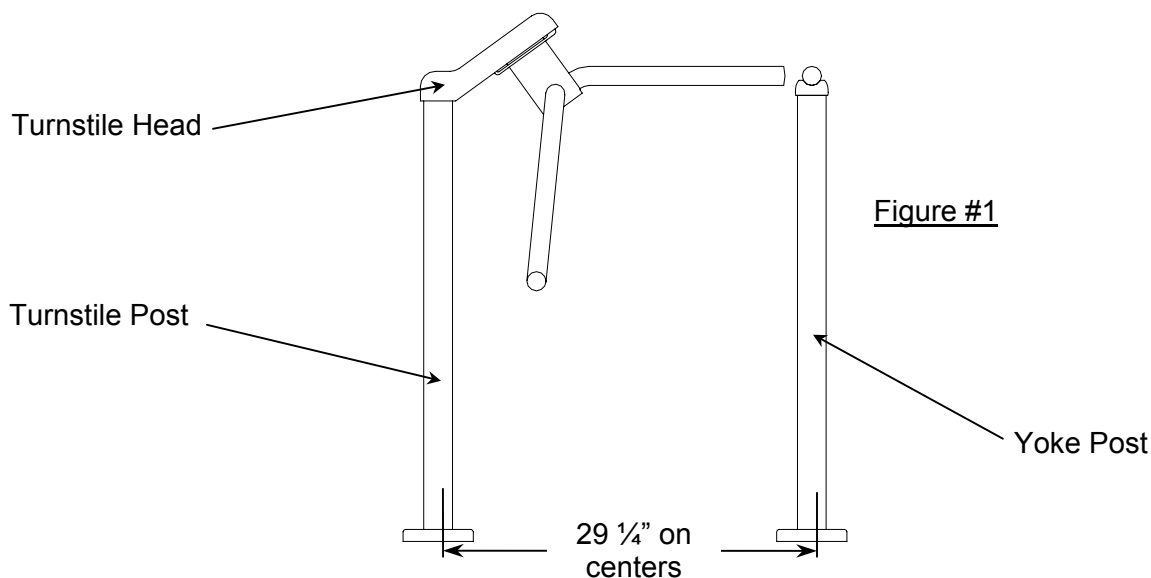
- Hammer Drill
- 5/8" Concrete Drill Bit
- Ratchet with a 9/16" Socket
- 3/16" Allen Wrench
- Chalk Line
- Tape Measure
- Rubber Mallet
- Slotted Head Screw Driver

For Zenith Style add:

- Anchor Package

- 1" Concrete Drill Bit
- 15/16" Socket

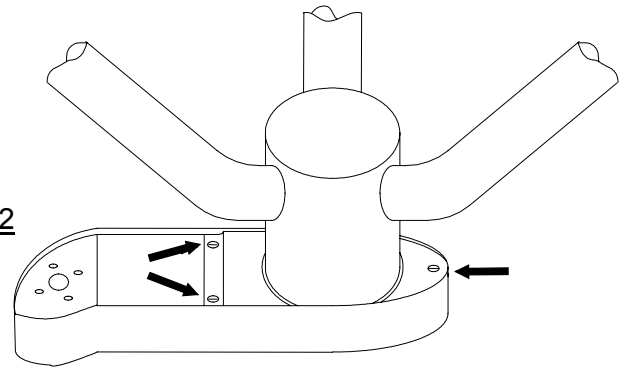
- 1) Snap a chalk line on the floor in the desired location(s) to determine the location of the posts and mark their center position (see Figure #1). NOTE: Allow a minimum of 29 1/4" from the center of the turnstile post to the center of the yoke post. Please be aware that if any more than 3" is left between the yoke post and the turnstile arm, unwanted passage may be obtained.



- 2) Anchor the posts per the vogue style or zenith style post installation instructions that are provided with this document. When using zenith style posts, completely tighten the outer four anchor bolts and **ONLY SEAT** the center anchor. Do not install the center anchor shaft at this time.

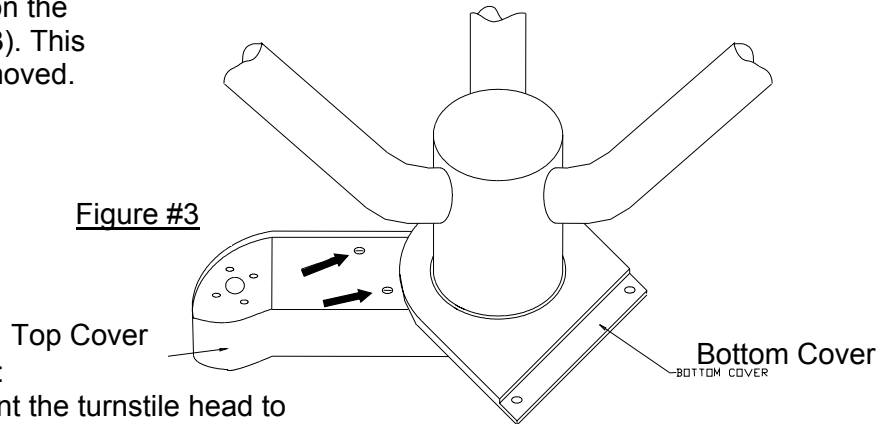
- 3) Loosen the bottom turnstile cover by removing the three screws that hold the bottom cover onto the top cover (see Figure #2).

Figure #2



- 4) Swing the bottom turnstile cover to the side and remove the two screws that are located on the underside of the top cover (see Figure #3). This will allow the top turnstile cover to be removed.

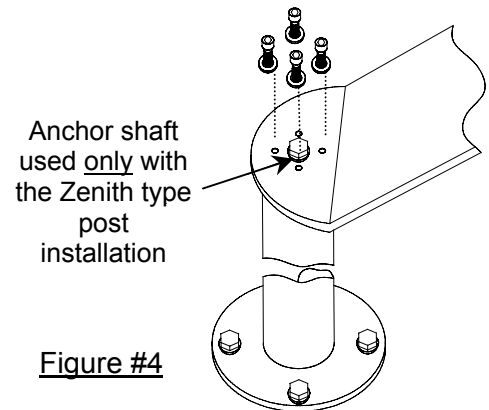
Figure #3



- 5) For installations using a vogue style post: Remove the top turnstile cover, and mount the turnstile head to the post using the four caps, screws and lock washers provided (See Figure #4).

For installations using a zenith style post: Remove the top turnstile cover. Mount the turnstile head to the post using the four caps, screws, lock washers, and the zenith anchor shaft (down the center). Completely tighten the center anchor shaft at this time.

- 6) Replace the top turnstile cover and secure it by tightening the 2 screws that were removed in step #4. Swing the bottom turnstile cover back to its original position. Place the three screws that were taken from the bottom turnstile cover back into place and tighten.



- 7) Lower the base cover over the post flange. Using the rubber mallet, tap the cover into place. Note: Tap gently to prevent denting the base cover.

Maintenance

Clean the turnstile with the correct type of cleaner for its finish:

Chrome: Use a general all-purpose cleaner with a soft cloth.

Powder coat: Use a soft damp cloth. Any deep scratches or chips should be touched up to prevent rust. NOTE: If untreated, rust will spread under the surface.

Stainless Steel: Use a Stainless Steel polish or cleaner. If a heavy scratch or mark is apparent use a metal blend or finish pad.

Replace any bent or broken pieces IMMEDIATELY. Tighten any loose outlets, or anchor bolts.

Warranty

Alvarado Manufacturing Company warrants the equipment being sold against defects in material and workmanship, for a period of one (1) year from the date of purchase, providing recommended installation and maintenance procedures are followed. This warranty is void if damage was due to improper installation, maintenance or use. The manufacturer is not responsible for any shipping or labor charges incurred in the removal or replacement of defective parts.