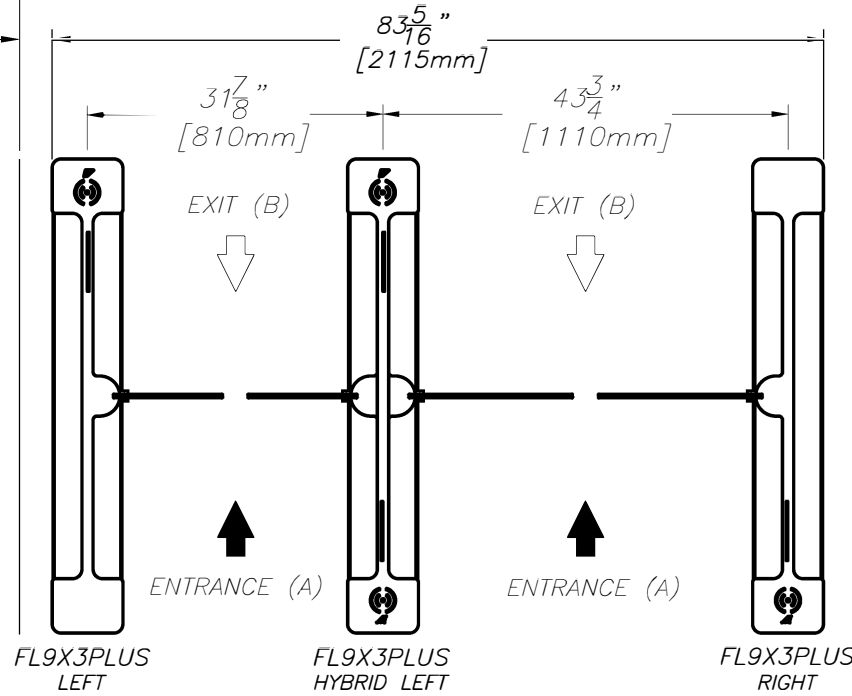
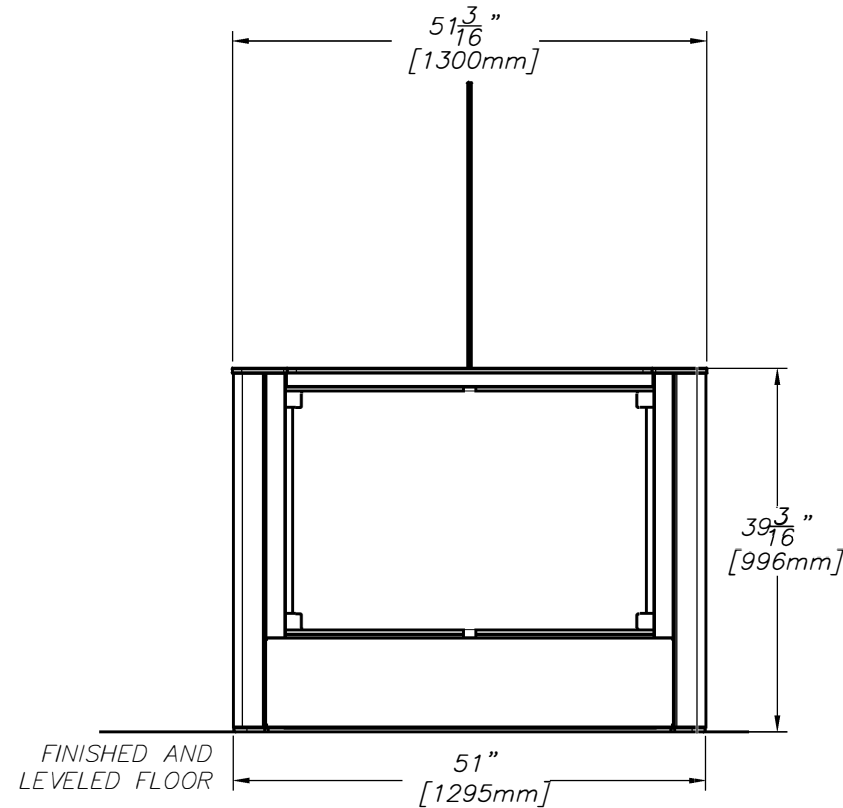
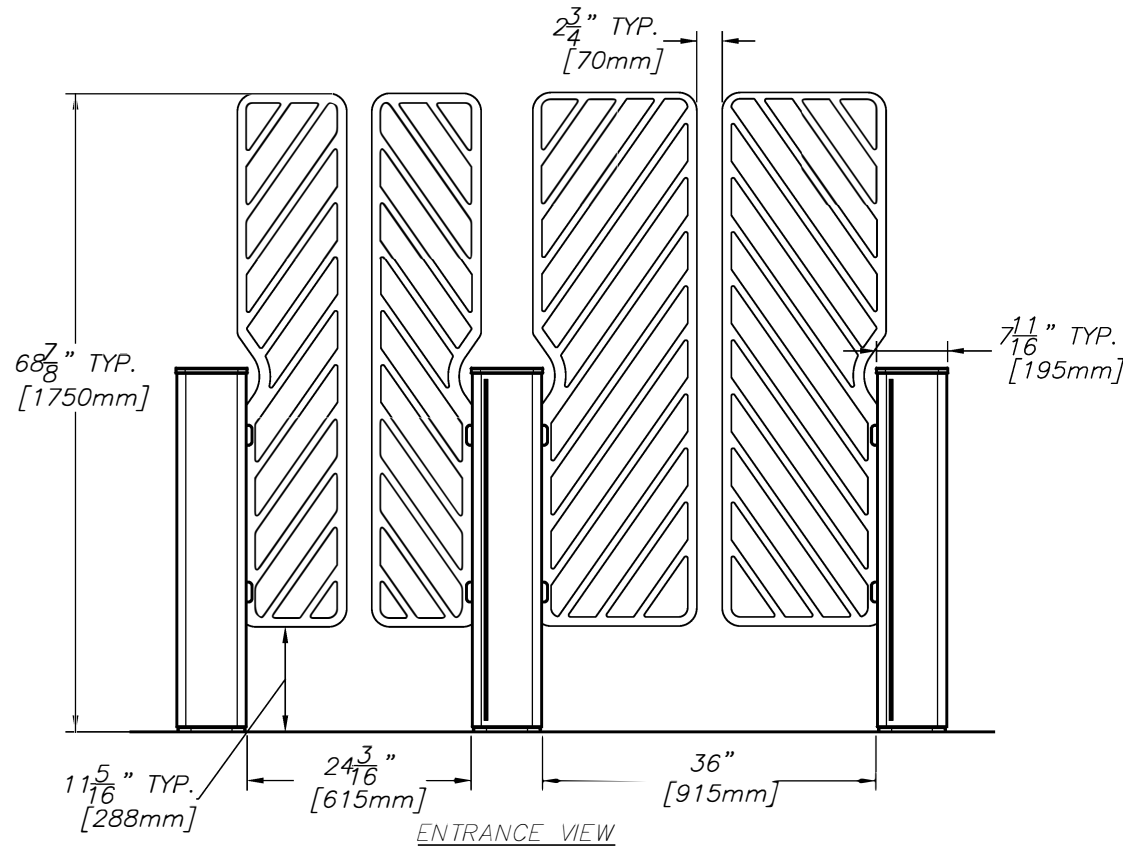


3 1/2" MIN. TYP.  
[89mm]



2293mm  
REQUIRED MINIMUM SPACE



APPROVED BY:

X \_\_\_\_\_  
Date Approved \_\_\_\_\_

NOTES:

- 1-FOR ELECTRICAL CONNECTIONS, CONDUITS AND TEMPLATE LAYOUT PLEASE REFER TO THE GENERIC DRAWING: NAM-FL9X3PLUS-EL-004-EN.
- 2-FOR ACCESS CARD READER INTEGRATION AVAILABLE SPACE, PLEASE REFER TO THE FIRSTLANE FL9X3 TECHNICAL MANUAL.
- 3-ELECTRICAL REQUIREMENT: 6A @ 120 VAC (PER LANE)

AUTOMATIC SYSTEMS MAKES NO REPRESENTATION AS TO THE PROPER POSITIONING OF THE SECURITY ENTRANCE LANES AT THE INSTALLATION LOCATION. ESTABLISHING THE LAYOUT AND PLACEMENT OF THE UNIT(S) AND DETERMINING COMPLIANCE WITH THE APPLICABLE BUILDING CODES, OTHER CODES, LAWS AND REGULATIONS IS THE SOLE RESPONSIBILITY OF THE PURCHASER. INSTALLATION MUST BE PERFORMED BY A QUALIFIED INSTALLER FOLLOWING MANUFACTURER'S INSTRUCTIONS, OTHERWISE AUTOMATIC SYSTEMS' WARRANTIES MAY BE VOID.

REV	DATE	MODIFICATIONS/CHANGES	PAR/BY
-	-	-	-
R EMISSIONS			

MATERIAU/MATERIAL		
-		
TRAITEMENT/TREATMENT		
-		
FINI/FINISH		
-		
NB./App.	POIDS/WEIGHT	SURFACE
-	-	-

LES DIMENSIONS SONT EN POUCES / DIMENSIONS ARE IN INCHES		EBARBER & ENLEVER LES ARÊTES VIVES. DIM SELON ASME Y14.5 1994. NE PAS MESURER SUR LE DESSIN. BREAK ALL SHARP EDGES AND CORNERS. ALL DIM PER ASME Y14.5 1994. DO NOT SCALE DRAWING
TOLERANCES		
XXX	± .005	
XX	± .010	
X	± .015	
FRAC.	± 1/32	
ANGLES		± 1/2°
SAUF SI INDIQUÉS UNLESS OTHERWISE NOTED		

AUTOMATIC SYSTEMS

FICHER / FILENAME

NAM-FL9X3PLUS-IN-004-EN.DWG

LES INFORMATIONS CONTENUES SUR LES DESSINS DE ASA Inc. SONT CONFIDENTIELLES ET SONT LA PROPRIÉTÉ DE ASA Inc., TOUTES REPRODUCTIONS, DISTRIBUTIONS OU UTILISATIONS SONT INTERDITES SANS LA PERMISSION DE ASA Inc.

INFORMATION DISCLOSED HERE IS CONFIDENTIAL AND IS THE PROPERTY OF ASA Inc., ANY REPRODUCTION, DISTRIBUTION OR USE IS PROHIBITED WITHOUT A WRITTEN CONSENT BY ASA Inc.

TITRE	FIRSTLANE FL9X3PLUS (HIGH LEAVES)		
TITRE	STANDARD 2 LANE LAYOUT (NARROW + WIDE)		
ÉCHELLE/SCALE	N/A	FORMAT/SIZE	B
DATE	2023/02/22	FEUILLE/SHEET	1
DESSINÉ PAR	CLA	VÉRIFIÉ PAR	CLA
DRAWN BY	CLA	CHECKED BY	CLA
NO. DE DESSIN/DWG. NO.		REV	
NAM-FL9X3PLUS-IN-004-EN		A	