



## **GUNNEBO®**

### **SpeedStile BP**

**Bi-Parting speed gate with sliding acrylic wings**

The SpeedStile BP continues to be one of Gunnebo's most popular and sought after speed gate products. The SpeedStile BP can be designed in a wide variety of finishes such as stainless steel, brass, marble, and granite. Originally designed for Mass Transit applications, the award-winning SpeedStile design can be placed in any environment where barrier deterrence and fast throughput are number one priorities.

Manufactured in either ADA compliant or standard sized housings, the SpeedStile BP offers unsurpassed throughput while ensuring unauthorized users are kept out of secure spaces. The SpeedStile BP incorporates Gunnebo's years of tested optical technology

with normally closed angel-wing barriers that retract in and out of the turnstile housings. Safety beams and torque sensing are added precautions that make the SpeedStile BP safe for public use.

Custom options such as housing finishes and design, along with access control reader integration (prox, biometric, visitor management, etc.) make this product a great solution where speed of throughput, security, and design are required. With the integration of a touchscreen or pushbutton controller, remote locations are provided with everything needed to fully tailor, control, and optimize the speed gates to meet their specific site requirements.

Designed and built in the USA, the SpeedStile BP can be installed as a single ADA compliant lane or in combination with multiple lanes placed in parallel.

**Technical Specifications**

Orientation	Bi-Directional		
Unit Dimensions		<b>BP</b>	<b>BPW (ADA Compliant)</b>
	Casework Length	57.2"	57.2"
	Casework Height	37.4"	37.4"
	Casework Width	12.2"	19.3"
	Walkway Width	22.0"	36.0"
Drive	Motorized		
Materials	Top/Front	Painted polyurethane to RAL color of customer's choice	
	Wing Housing	Painted steel finished to match front and top	
	Inlay/Base	#4 grained stainless steel	
	Wings	0.59" hardened clear acrylic	
	Side Doors	Cobalt Grey 0.33" 3 ply laminated safety glass	
Drive Mechanism	The wings are moved by mechanical arms. The arms are rotated by a torque shaft connected to the drive unit. The drive unit is a DC motor working in conjunction with a bi-directional encoder. A microprocessor control system guarantees the precise movement and positioning of the wings.		
Function	Passage in both directions electronically controlled. Default mode is Normally Closed (NC), and lane will open only upon acceptance of an authorized signal.		
Sensor Direction	Provided through infrared sensors		
Operation	On receiving a signal from the access control system or push button, the wings open. If an unauthorized person tries to tailgate or enter from the opposite direction, the system detects the unauthorized passage and activates the built-in alarm system.		
Fire Alarm	Input facility, for voltage-free contact supplied by others to effect fail state.		
Power Supply	115VAC 50/60Hz. In the event of a power failure, the wings will drive to the open position		
Power Rating	Stand By 10 VA	In Operation 300 VA	
Logic Voltage	24 VDC		
Battery Backup	On power failure, the battery backup will allow the wings to open (or close), stop, and become inactive. The wings will remain in this position until power is restored.		
Flow Rates	22 single users per minute, 38 multiple users per minute (approximate figures)		
Approximate Weight	BP Standard	285-335 lbs per cabinet	
	BP ADA	320-400 lbs per cabinet	

## Operational Modes & Notifications

### Interface

Potential free contact provided by either card reader or pushbutton input. Card reader inhibit and reset signals are available as standard. The unit has an adjustable time out facility if required; the go ahead symbol will be cancelled if the passage through the SpeedStile is not completed within a pre-set and field programmable time frame.

### Operational Modes

#### Full Time Barrier (Normally Closed) Mode

The sliding wings remain closed until a valid access control card is presented. Tailgaters and unauthorized entries are signaled by an alarm-type tone. If an unauthorized card is presented, the lane will sound an alarm and the wings will remain closed to prevent the user from proceeding further without intervention.

#### Standard Operating Modes

Switchable via optional pushbutton Desk Top Controller (DTC) or an optional digital touch screen (HMI):

- Enter/Card In
- Exit/Card Out
- Free Exit/Card Out
- Close
- Reset

#### Audible Notifications

Each lane of the SpeedStile has four audible notifications to indicate the following:

- One tone - Reminder to swipe card
- Chime - Access authorization
- Two tone - Lane alert
- Loud buzzer - Forced barrier

#### Pictogram Lights

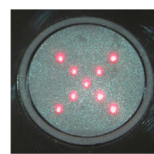
1.97" diameter LED display pictograms flush-mounted within the SpeedStile lid top face (included as standard). The green badge symbol is continuously illuminated indicating passage is available. Upon authorization a green arrow will illuminate in the direction of passage authorization, while in the opposite direction a red cross symbol will illuminate to indicate the unit is not available for use or is already in use. See the next page for pictogram light instructions.



Green Card



Green Arrow



Red Cross



## PictoGram Light Instructions

Uniquely designed Card Reader Pictograms are fitted into the SpeedStile top, one each direction, to visually assist the user when passing through the unit.

### Normal Use



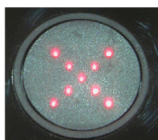
#### Green Card

Present personal security card to the reader mounted upon the unit for authorization. Wait for the green arrow to illuminate.



#### Green Arrow: Authorized Use or Designated Free Passage

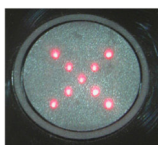
Proceed through the unit. For FREE PASSAGE configuration, authorization is not required. Normally used for EXIT only.



#### Red Cross: Unit in Use or No Passage

Wait until the passageway has been vacated and either the green card or green arrow to illuminate.

### Alarm Conditions



#### Flashing Red Cross and Audible Alarm: Fraudulent Condition

This alarm mode will be activated via the following scenarios: Passageway is already in use and a 2nd person has attempted to follow through—tailgating—or passageway is currently in use and you do not have right of pass. Do not panic: Vacate the passageway. Wait for the flashing red cross to stop flashing and the audible alarm to cease. Wait for the green arrow to illuminate to indicate who has the right of passage.



#### Flashing Green Card: Incorrect Use Mode

Do not panic: Present card to the reader mounted on the unit for authorization. Authorization of passage will cancel the alarm condition.



#### Flashing Green Arrow: Emergency/ Fire Exit

Do not panic: There is FREE PASSAGE to evacuate through the gate.



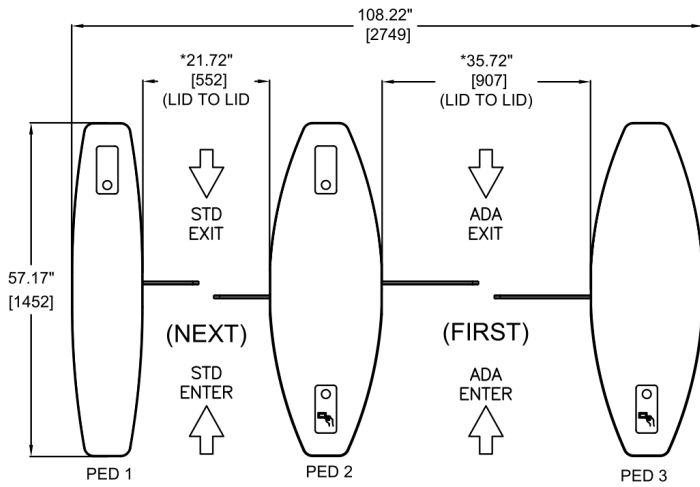
**Technical Specifications**

Alternative Material, Finishes, and Custom Design	<ul style="list-style-type: none"> <li>• Refer to Gunnebo Entrance Control Inc. for specific material design requirements</li> <li>• Alternative PUR RAL colors, finishes, and effects</li> <li>• Inlay material options</li> </ul>
Card Reader Option	<ul style="list-style-type: none"> <li>• Integration of customer supplied readers into the SpeedStile top or front inlays</li> <li>• Proximity, magnetic stripe, biometric or barcode readers all compatible</li> <li>• Barcode scanners mounted to accommodate visitor access and readable via an insertion method (slot) or scanning type</li> </ul>
Remote Lane Control	<ul style="list-style-type: none"> <li>• Simple push button console to control the SpeedStile wing release</li> <li>• Custom remote push button console to specific requirements</li> <li>• Casework mounted pushbutton</li> <li>• Digital touchscreen with advanced controls</li> </ul>
Alternative Mounting	Specialized mounting base platforms giving concealed cableway and requiring no drilling, trenching, or core drilling to the floor.
Counting	LCD and electromechanical counter
Lane Lights and Logos	<ul style="list-style-type: none"> <li>• Mounted upon the front section of the SpeedStile to act as traffic light flow control</li> <li>• Custom LED lane lighting</li> <li>• Custom logos and etching on SpeedStile barrier</li> </ul>
Infil Panels	Where extra space presents in a design, integrated or standalone space infill solutions can be provided.
Elevator Destination Dispatch	Mounting integration of customer supplied LCD screens for elevator destination dispatch systems.
Pressure Sensitive Lids	Pressure sensitive lids can be installed to provide 'jump over' alarm notification via both LED lights and an audible alarm. This option can be installed in both the entry and exit directions.

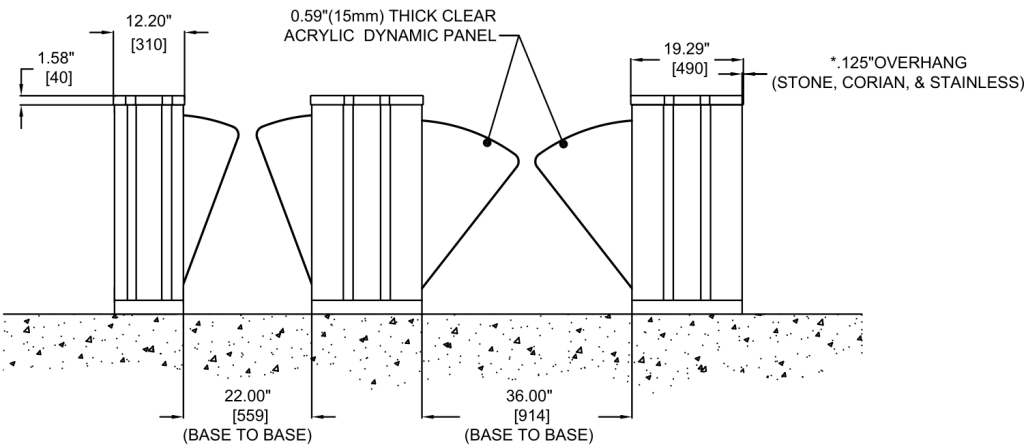


**Gunnebo SpeedStile BP**

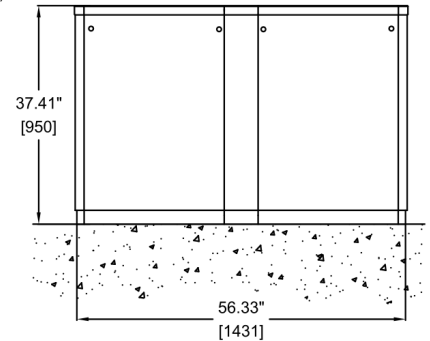
Typical 2 Lane/ 3 Pedestal Configuration  
Card in/ Free Exit



**PLAN VIEW**



**ELEVATION VIEW**



**SIDE VIEW**

