



MAGNETIC[®]
ACCESS TO PROGRESS

Access Pro-L Access barrier

For economical access control

The Access Pro series barriers from Magnetic are optimized solutions for access control at car parks, company grounds, residential buildings, port facilities and other secured areas with lane widths up to 20 ft. Compared to the Access Pro-L, The Access Pro-H includes a taller cabinet, with more room for accessories, and a straight MicroBoom arm. Combine the Access Pro-H with the optional barrier arm skirt (with or without climb-over prevention) to effectively stop intruders from crawling under and/or climbing over the barrier.

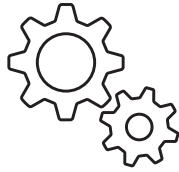
At the heart of the Access series is the innovative MHTM™ drive that is distinguished by its energy efficiency, lack of maintenance and long service life – the Access series is designed for 10 million opening and closing cycles. The Access Pro-L and Access Pro-H are characterized by a high level of functionality and offer expansion potentials with plug-in modules and exclusive accessories. Magnetic quality lies not just in the detail, but is also easily recognizable thanks to its stylish design. The Access series has already been awarded two design prizes.

- High level of functionality for numerous applications
- Very low operating costs thanks to efficient and long-lived MHTM™ drive
- Ease-of-use and optimum accessibility thanks to well thought-out design
- Legal security with Declarations of Conformity and Performance
- Acclaimed design: German Design Award 2014 and Red
- Dot Design Award 2012
- Designed for 10 million opening and closing actions



For wide entrances

Thanks to their high energy efficiency, extremely long service lives, and simple maintenance, barriers from Magnetic are particularly cost-effective – an investment that will certainly pay off!



Innovative drive technology

The MHTMTM drive unit operates with- out maintenance, energy- efficiently and quietly. Its high torque ensures best possible operation even under extreme weather conditions.



Legal security

Magnetic vehicular lift barriers have always been UL 325 approved. UL 325 ensures that our product guards against entrapment, fire, and electrical shock.



Easy access to components

Two simple hand movements suffice: easy access to the control system and drive unit by removing the hood and front panel. This increases user- friendli- ness and speeds up commissioning and servicing.

Technical data	Access Pro-L
Barrier width	Max. 5.0 m
Opening/closing time	4.0 s
Power consumption	Max. 30 W
Drive technology	MHTM™
Voltage	85–264 VAC, 50/60 Hz
Duty cycle	100%
Housing dimensions (W x D x H)	315x360x915mm
Enclosure rating	IP 54
Temperature range	-30 to +55° C
Weight	40kg

Features	Access Pro-L
Standard colours	Orange (RAL 2000)
VarioBoom barrier boom	Standard
Control system	MGC
Integrated 2-channel detector for induction loops	Standard
Modular expansion of control system	Radio receiver and other detector modules
Variable I/O assignment	-
No. of digital inputs	8
No. of relays/digital outputs	6/4
Input for safety light barriers	1
Selectable closing speed	Standard
Selectable opening speed	Standard

Options	Access Pro-L
Special colours	✓
Pendulum support**	✓
Support post	✓
Barrier arm locking set	✓
Barrier arm illumination, red	✓
Light strips, red/green	✓
Warning lights	✓
Key operated switch	✓
Radio module	✓
Hood light	✓
Ethernet module	
RS485 module	
CAN module (counting)	
Second detector module	✓
GSM module	✓
Photoelectric light barrier	✓

* max. 4.5 m lane width, max 3.5 m height

** Pendulum support or a support post are required from a boom length of 3.5 m

- ACCESS
- PARKING
- TOLL
- TRAFFIC



Standard barrier colors

Standard door color



Orange
(RAL 2000)

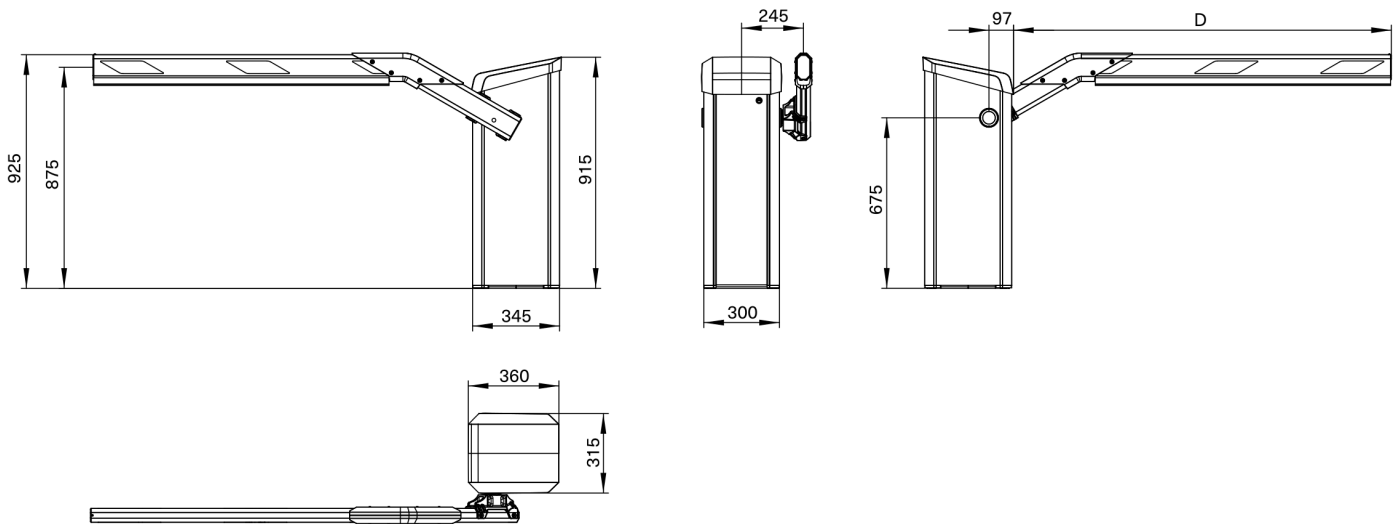


White
(similar to RAL 9006)



Grey Aluminum
(similar to RAL 9007)

Dimensional drawings



Access to Progress

Magnetic stands for pioneering products – in every way. Our access control systems for vehicles or pedestrians clear the way for thousands of people every day – at car parks, toll gates, stations, airports and in buildings. Our technology is also pioneering, however: with innovative drives, intelligent control systems and well thought-out details it provides maximum safety and longevity. Are you also on the path to Magnetic?



Vehicle barriers

- Access barriers
- Parking barriers
- Toll barriers
- Special barriers



Pedestrian gates

- Turnstiles
- Swing gates
- Tripod gates
- Retractable gates
- Wing gates



Terminals

- Cars
- Trucks

Germany

MAGNETIC AUTOCONTROL GMBH

Grienmatt 20
79650 Schopfheim
Phone +49 7622 695-5
Fax +49 7622 695-800
E-mail info@magnetic-germany.com

Australia

MAGNETIC AUTOMATION PTY LTD

38 Metrolink Circuit
Campbellfield, VIC 3061
Phone +61 3 9339 2900
E-mail info@magnetic-oz.com

Austria

FAAC GMBH

Münchner Bundesstraße 123
5020 Salzburg
Phone +43 662 853395-0
E-mail at.info@faacgroup.com

Benelux countries

FAAC BENELUX NV/SA

Industriezone 3B
8490 Jabbeke
Belgium
Phone +32 50 320202
E-mail info@magnetic-benelux.com

Brazil

MAGNETIC AUTOCONTROL LTDA

Av. Salim Antônio Curiati, 136
04690-050 – São Paulo
Phone +55 11 5660 8500
E-mail info@magnetic-br.com

China

MAGNETIC CONTROL SYSTEMS CO.,

No. 3 Building, No. 51
Lane 1159, Kang Qiao (East) Road
Kang Qiao Industrial Zone, Shanghai
Phone +86 21 68182970
E-mail info@magnetic-cn.com

France

FAAC FRANCE

377 Rue Ferdinand Perrier
69808 St Priest Cedex
Phone +33 4 72 21 86 89
E-mail info@magnetic-fr.com

India

MAGNETIC FAAC INDIA PVT LTD.

PRS Centre
Plot No. 373 to 376, 2nd Floor (West Wing)
1st Cross Street, Nehru Nagar
Old Mahabalipuram Road
Kottivakkam (Opp Rayala Technopark, Perungudi)
Chennai 600041
Phone +91 44 421 23297
E-mail info@magnetic-india.com

Middle East

FAAC MIDDLE EAST FZE

Dubai Silicon Oasis
PO Box 54886
Dubai
United Arab Emirates
Phone +971 4 3724193
E-mail info@magnetic-uae.com

N. and S. America (excl. Brazil)

FAAC INTERNATIONAL, INC

3160 Murell Road
Rockledge, FL 32955
USA
Phone +1 321 635 8585
E-mail info@magnetic-usa.com

Scandinavia

FAAC NORDIC AB

Box 125
284 22 Perstorp
Sweden
Phone +46 435 77 95 03
E-mail info@magnetic-nordic.com

Southeast Asia

MAGNETIC CONTROL SYSTEMS SDN.

No. 17, Jalan Anggerik Mokara 31/54 Taman
Perindustrian Kota Kemuning
40460 Shah Alam
Selangor Darul Ehsan
Malaysia
Phone +60 3 5123 0033
E-mail info@magnetic-malaysia.com

