



## ALVARADO CPSTT Full Height Turnstile

The CPSTT tandem full height turnstile includes all the same core features as our other tandem models, but adds crystal clear rotating arms and side panels. The CPSTT has all of the great advantages as the previous tandem models, and is great for higher security in upscale applications and environments. It offers the same benefits as the CPST, but in a tandem configuration.

### Common Applications

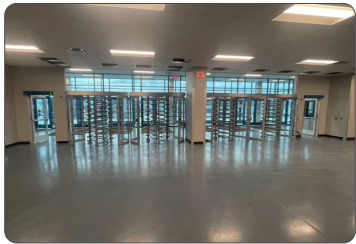
- Perimeter control and fence line security
- Time and attendance integration
- Employee and visitor access control
- Unmanned point of entry
- Inside and outside covered locations

### Why Alvarado?

Alvarado is the leading manufacturer of waist high turnstiles. Since its founding in 1956, Alvarado equipment has been installed in thousands of locations throughout the world. Our superior product quality, integration expertise and industry leading service and support are just a few reasons that many of the world's most respected companies use our products again and again.

## Key Features

Clear Side Panel:	Clear side panel (Yoke) looks great and improves visual sightlines.
Hydraulic Speed Control/Self-Centering:	user pushing tension eliminates slamming and smoothly selfcenters the Rotos, increasing user safety and extending equipment life.
Rugged Cast Acrylic Arms:	Roto arms are cast from 1" thick clear abrasion resistant acrylic to provide superior protection against forced entry.
Full Featured Control Board (electric models):	Works with any access control or card reader without added relays, electronics or programming for an effortless integration.
Pull Out Top Channel Cover:	Stainless Top Channel Cover may be removed horizontally, reducing the clear overhead space required for removal.
Space Saving Design:	Tandem design uses 30% less space than two individual turnstiles.



## Available Models

CPST-6X (Electrically controlled)

## Certifications

The CPSTT tandem full height turnstile is independently tested and certified by UL, conforming to both UL and CSA standards. It is also CE marked.

## Options

Dozens of options and a selection of materials and finishes are available

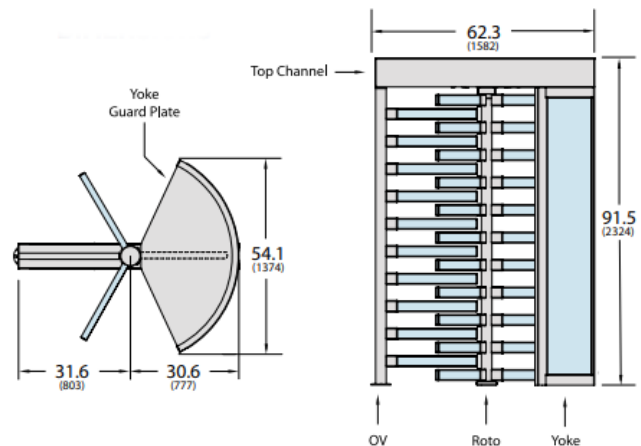


## Complementary Products

MSG pedestrian security gates often accompany full height turnstiles to facilitate delivery of material or bulky items.



## Dimensions



Dimensions shown in inches (mm). All measurements are approximate.