



**MAGNETIC**<sup>®</sup>  
ACCESS TO PROGRESS

## Access Pro-H Access barrier

### For special security requirements

With its opening width of up to 20 ft and the option for a barrier arm skirt with climb-over prevention up to a height of 70 inches, the Access Pro-H is the ideal solution for all entrances that require effective prevention of unauthorized pedestrian access in addition to controlled vehicle access. The control system of the Access Pro-H offers a large range of functions and expansion potential through the use of plug-in modules. The five expansion slots could be used for an Ethernet interface, a radio module or a counting module for determining the number of parking spaces still available.

All inputs and output functions can be individually configured by the user. The opening and closing times can each be selected from three levels independently of one another.

With its opening width of up to 20 ft and its comprehensive range of functions, the Access Pro-L is the perfect solution for controlling access to car parks, company grounds, residential buildings and similar areas.

- High level of functionality for numerous applications
- Very low operating costs thanks to efficient and long-lived MHTM™ drive
- Ease-of-use and optimum accessibility thanks to well thought-out design
- Legal security with Declarations of Conformity and Performance
- Acclaimed design: German Design Award 2014 and Red Dot Design Award 2012
- Designed for 10 million opening and closing actions



**Low operating costs**

With arm lengths up to 20 ft the Access Pro series is perfectly suited for a wide variety of applications. Thanks to their high energy efficiency, extremely long service lives, and simple maintenance, barriers from Magnetic are particularly cost-effective.



**Innovative drive technology**

The MHTMTM drive unit operates with- out maintenance, energy-efficiently and quietly. Its high torque ensures best possible operation even under extreme weather conditions.



**Legal security**

Magnetic vehicular lift barriers have always been UL 325 approved. UL 325 ensures that our product guards against entrapment, fire, and electrical shock.



**Easy access to components**

Two simple hand movements suffice: easy access to the control system and drive unit by removing the hood and front panel. This increases user-friendli- ness and speeds up commissioning and servicing.

Technical data	Access Pro-H
Barrier width	Max. 20 ft
Opening/closing time	4.0 s
Power consumption	Max. 25 W
Drive technology	MHTM™
Voltage	85-264 VAC, 50/60 Hz
Duty cycle	100%
Housing dimensions (W x D x H)	12.4x14.2x36.0 in
Enclosure rating	IP 54
Temperature range	-22 to +131° F
Weight	97 lbs

Features	Access Pro-H
Standard colours	RAL 2000, 9006, 9007, 9010
VarioBoom barrier boom	MicroBoom
Control system	MGC Pro
Integrated 2-channel detector for induction loops	Standard
Modular expansion of control system	Freely expandable
Variable I/O assignment	Standard
No. of digital inputs	8
No. of relays/digital outputs	6/4
Selectable closing speed	Standard
Selectable opening speed	Standard

Options	Access Pro-H
Special colors	✓
Standard barrier arm skirt	✓
Barrier arm skirt with climb-over prevention (height=51 in)	✓
Barrier arm skirt with climb-over prevention (height=70 in)	✓
Barrier arm extension set	
Pendulum support*	✓
Support post*	✓
Barrier arm presence sensor	✓
Barrier arm lock	✓
Barrier arm illumination, red**	✓
LED strips, red/green***	✓
Warning lights	✓
Hood lights	✓
Key-operated switch	✓
Radio module	✓
Ethernet module	✓
RS485 module	✓
CAN module (counting)	✓
Secon detector module	✓
GSM module	✓
Photoelectric light barrier	✓
Battery backup	✓
Heater	✓

\* Barrier arms over 15 feet must use a pendulum support or support post  
 \*\* Can only be used on back of barrier arm when used with climbover protection  
 \*\*\* Cannot be used with standard barrier arm skirt

- ACCESS
- PARKING
- TOLL
- TRAFFIC



**Standard barrier colors**



Orange  
(RAL 2000)



Light Grey  
(similar to RAL 9006)



Dark Grey  
(similar to RAL 9007)



White  
(similar to RAL 9010)

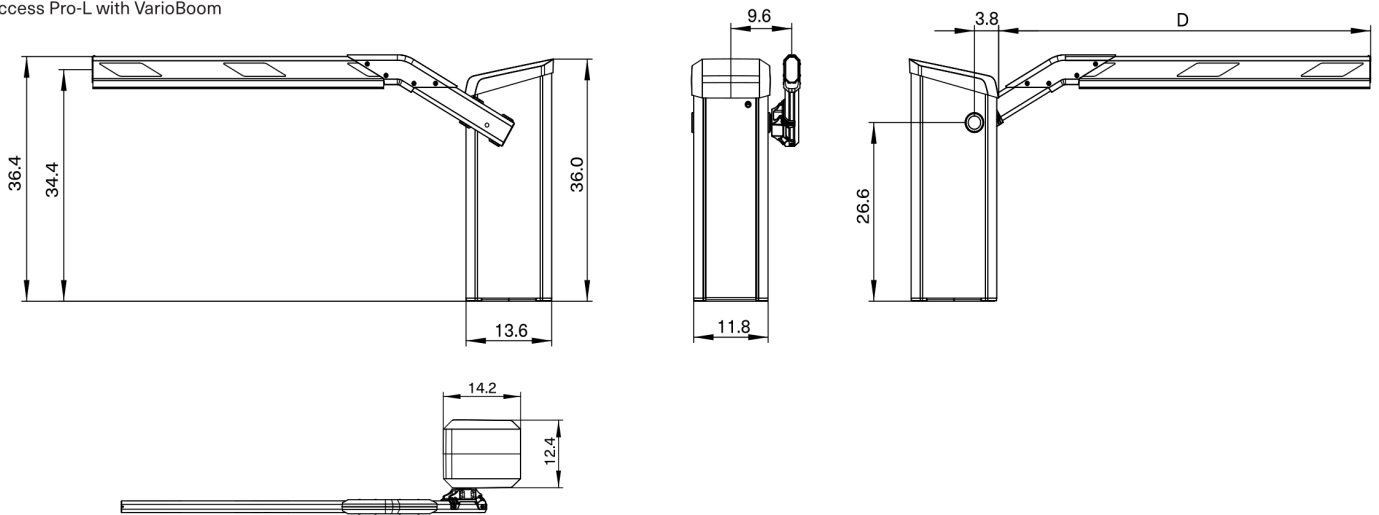
**Standard door color**



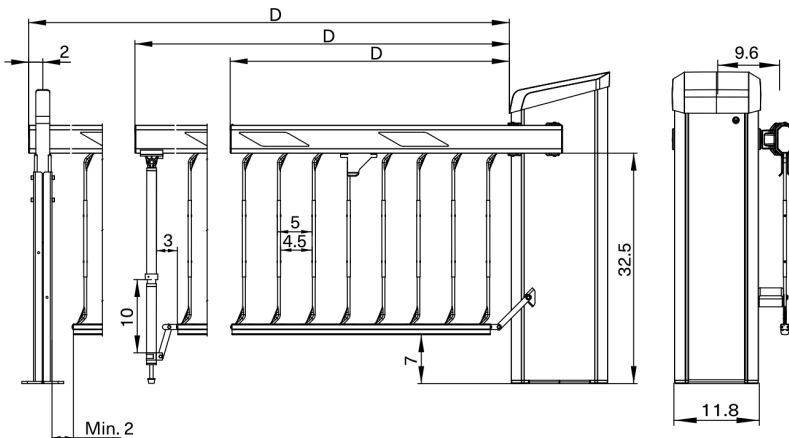
Black-Grey (Anthracite)  
(similar to RAL 7021)

**Dimensional drawings**

Access Pro-L with VarioBoom



Access Pro-H with standard barrier arm skirt



**Access to Progress**

Magnetic stands for pioneering products – in every way. Our access control systems for vehicles or pedestrians clear the way for thousands of people every day – at car parks, toll gates, stations, airports and in buildings. Our technology is also pioneering, however: with innovative drives, intelligent control systems and well thought-out details it provides maximum safety and longevity. Are you also on the path to Magnetic?



**Vehicle barriers**

- Access barriers
- Parking barriers
- Toll barriers
- Special barriers



**Pedestrian gates**

- Turnstiles
- Swing gates
- Tripod gates
- Retractable gates
- Wing gates



**Terminals**

- Cars
- Trucks

*Germany*

**MAGNETIC AUTOCONTROL GMBH**

Grienmatt 20  
79650 Schopfheim  
Phone +49 7622 695-5  
Fax +49 7622 695-800  
E-mail [info@magnetic-germany.com](mailto:info@magnetic-germany.com)

*Australia*

**MAGNETIC AUTOMATION PTY LTD**

38 Metrolink Circuit  
Campbellfield, VIC 3061  
Phone +61 3 9339 2900  
E-mail [info@magnetic-oz.com](mailto:info@magnetic-oz.com)

*Austria*

**FAAC GMBH**

Münchner Bundesstraße 123  
5020 Salzburg  
Phone +43 662 853395-0  
E-mail [at.info@faacgroup.com](mailto:at.info@faacgroup.com)

*Benelux countries*

**FAAC BENELUX NV/SA**

Industriezone 3B  
8490 Jabbeke  
Belgium  
Phone +32 50 320202  
E-mail [info@magnetic-benelux.com](mailto:info@magnetic-benelux.com)

*Brazil*

**MAGNETIC AUTOCONTROL LTDA**

Av. Salim Antônio Curiati, 136  
04690-050 – São Paulo  
Phone +55 11 5660 8500  
E-mail [info@magnetic-br.com](mailto:info@magnetic-br.com)

*China*

**MAGNETIC CONTROL SYSTEMS CO.,**

No. 3 Building, No. 51  
Lane 1159, Kang Qiao (East) Road  
Kang Qiao Industrial Zone, Shanghai  
Phone +86 21 68182970  
E-mail [info@magnetic-cn.com](mailto:info@magnetic-cn.com)

*France*

**FAAC FRANCE**

377 Rue Ferdinand Perrier  
69808 St Priest Cedex  
Phone +33 4 72 21 86 89  
E-mail [info@magnetic-fr.com](mailto:info@magnetic-fr.com)

*India*

**MAGNETIC FAAC INDIA PVT LTD.**

PRS Centre  
Plot No. 373 to 376, 2nd Floor (West Wing)  
1st Cross Street, Nehru Nagar  
Old Mahabalipuram Road  
Kottivakkam (Opp Rayala Technopark, Perungudi)  
Chennai 600041  
Phone +91 44 421 23297  
E-mail [info@magnetic-india.com](mailto:info@magnetic-india.com)

*Middle East*

**FAAC MIDDLE EAST FZE**

Dubai Silicon Oasis  
PO Box 54886  
Dubai  
United Arab Emirates  
Phone +971 4 3724193  
E-mail [info@magnetic-uae.com](mailto:info@magnetic-uae.com)

*N. and S. America (excl. Brazil)*

**FAAC INTERNATIONAL, INC**

3160 Murell Road  
Rockledge, FL 32955  
USA  
Phone +1 321 635 8585  
E-mail [info@magnetic-usa.com](mailto:info@magnetic-usa.com)

*Scandinavia*

**FAAC NORDIC AB**

Box 125  
284 22 Perstorp  
Sweden  
Phone +46 435 77 95 03  
E-mail [info@magnetic-nordic.com](mailto:info@magnetic-nordic.com)

*Southeast Asia*

**MAGNETIC CONTROL SYSTEMS SDN.**

No. 17, Jalan Anggerik Mokara 31/54 Taman  
Perindustrian Kota Kemuning  
40460 Shah Alam  
Selangor Darul Ehsan  
Malaysia  
Phone +60 3 5123 0033  
E-mail [info@magnetic-malaysia.com](mailto:info@magnetic-malaysia.com)

