



CA CONTROLLED ACCESS, INC. Turnstiles and ADA Gates

The Tiffany™ T80-T Series

Full Height Turnstile
Interior & Exterior Application

We're the #1 Choice of Top Architects, Security Pros and Engineers

For more than 30 years, Controlled Access has been the globally trusted name in pedestrian control equipment. Made in Ohio and shipped worldwide, we are the first choice of leading architects, facility managers, security consultants, and engineers. Whether your project requires high security full-height turnstiles, waist high units, or matching ADA accessible gates, Controlled Access is the secure choice. We're experienced in access control systems, from card readers to biometric scanning, to give you the power to control access.

The Tiffany™ T80-S (Single) Series and the T80-T (tandem) are high security, tamper-resistant, full-height turnstiles. Both variations are manufactured with 6061/T6 anodized aluminum ovaline arms and feature scratch-resistant polycarbonate yoke assemblies for an open appearance. The T80 series is driven by our reliable 6500 Series Control Head to accommodate your security requirements.

About Controlled Access:

Controlled Access manufactures the most reliable full-height turnstiles available. The High-Security Series units can be engineered to meet all your security and control requirements, and can be created as stand-alone units, or as part of an integrated system. Available in stainless steel (304 or 316), carbon steel with powder coating, or hot-dipped galvanized finish. These units can be fitted for any application with leading edge technology and features.

The Tiffany T80 Series

Full-Height Turnstile | Interior & Exterior Application

Applications:

The Tiffany™ T80 Series is a three-vane turnstile with a weather resistant finish and is ideal for interior or exterior placement – whenever style and durability are needed. It is crafted from 6061 and 6063 aluminum extrusions and features transparent scratch-resistant polycarbonate yoke assemblies.

Product Features:

Materials & Finishes:

- Various 6061 & 6063 extruded aluminum
- 3/16" scratch-resistant polycarbonate
- Finish: Standard anodizing finish is clear. Also available in dark bronze. Other colors can be quoted upon request.

Assembly & Hardware:

- Major components pre-assembled with concealed rods and spring pins
- Barrier and yokes secured with 3/4" rod epoxied into concrete
- Rotor pivots on a sealed load runner bearing, secured with high strength plastic coupling anchored into concrete
- Minimum of 4" needed for removal of cover

Dimensions:

T80-S (Single)

- **Ovaline Arms:** 1/2" x 2" x 24"
- **Exterior Height:** 91" (2311.4mm)
- **Interior Height:** 84" (2133.6mm)
- **Width:** 66.250" (1682.7mm)
- **Pedestrian Clearance:** 27.750" (704.8mm)

T80-T (Tandem)

- **Ovaline Arms:** 1/2" x 2" x 24"
- **Exterior Height:** 91" (2311.4mm)
- **Interior Height:** 84" (2133.6mm)
- **Width:** 96.250" (2444.7mm)
- **Pedestrian Clearance:** 27.750" (704.8mm)

Operation Features

6500 Series Control Head:

- Auto-indexing (self-centering) with adjustable hydraulic shock suppression
- Hardened tool steel locking bars, cam and roller assemblies
- Permanently lubricated bearings
- Your choice of manual or electronic control on both directions
- Nearly universal integration to any number of access control systems
- Your choice on each electronic direction of locking or unlocking on power failure

Options:

- Card reader mounting plates
- Daylight visible indicator lights
- Bi-directional key overrides
- 8 digit key resettable LCD counter with seven year lithium battery
- Metal detection portal
- Cold weather package, including thermostat controlled heater and insulated mainframe
- Additional options available upon request

Warranty:

Units are warranted against defects in materials and workmanship for a period of one year from date of delivery. See warranty information for specific details.

Electrical Specifications:

Input Voltage: 100-240 VAC

Input Current: 1.3 - .55 A

Frequency: 50/60 Hz

Storage Temperature: -40 to 158°F

Operating Temperature: -4 to 131°F

Operating Voltage: 24VDC

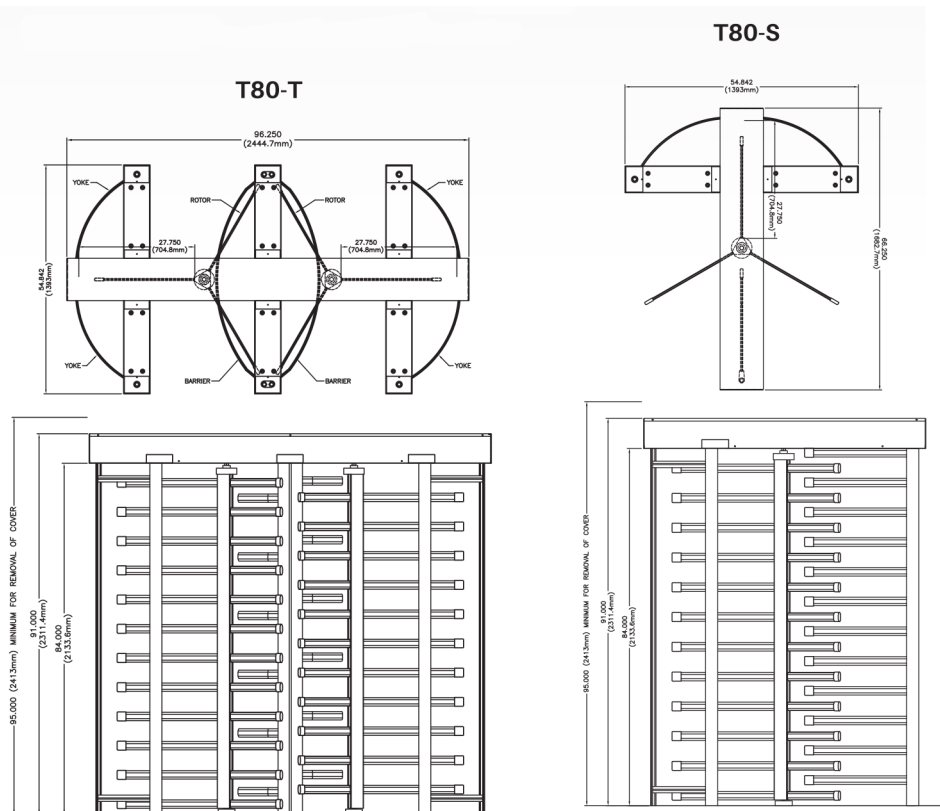
Operating Current: 1.2 A (typical)



The 6500 Series Control Head is certified to conform to the following standards:
UL 294, UL 325, UL Subject 2593,
4008027 CAN/ULC S319 & CSA
C22.2#247



Controlled Access Inc. is certified by Advantage International Registrar to be an ISO 9001:2015 company



* Dimensions are approximate