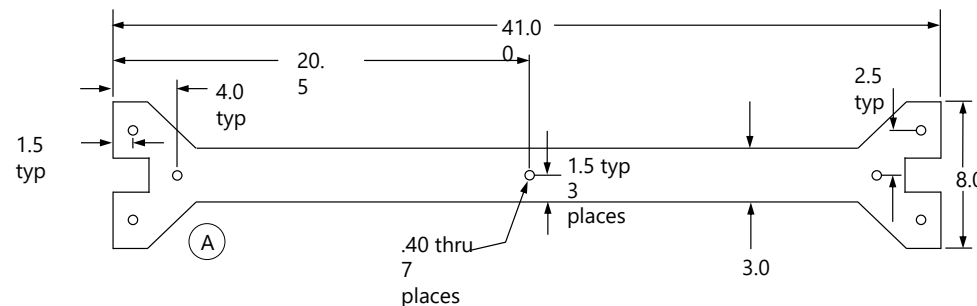


REVISION				
ZON	REV	DESCRIPTION	DATE	APPROVED



.250 thick floor plate

All Dimensions are in Inches .XXX +/- .005  
 .XX +/- .010  
 .X +/- .03 Surface Finish  
 125 RMS Max

This drawing is the property of Hayward Turnstiles Inc., and contains proprietary information. It may not be copied, reproduced or transmitted in any manner to a third party without prior written permission of Hayward Turnstiles

HAYWARD TURNSTILES, INC.

Full Height Gate

Material: Steel  
 Finish: Galvanized or Powder Coat

SIZE	FSCM NO.	v2	DWG NO.	HTG-M	REV
SCALE	NONE			SHEET	T