

ALVARADO SLT Waist High Turnstile

Alvarado SLT turnstile is built to withstand the demands of consistent use. The turnstile cabinet itself is made from either powder-coated steel or stainless steel. The SLT's rotating arms and many internal components are also stainless steel, giving this turnstile a solid feel. The 1.75" diameter turnstile arms are easy to push and an adjustable rotation dampener provides a controlled rotation and self-centers the turnstile arms smoothly to the home position.

The SLT also comes with four-way key override controls. With the turn of a key, the turnstile can be set to rotate in either the entry or exit direction; or in both directions. Both passage directions can also be locked down if desired.

Common Applications

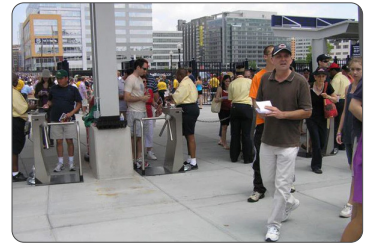
- Controlling Pedestrian Traffic Flow
- Employee & Visitor Access Control
- People Counting

Why Alvarado?

Alvarado is the leading manufacturer of waist high turnstiles. Since its founding in 1956, Alvarado equipment has been installed in thousands of locations throughout the world. Our superior product quality, integration expertise and industry leading service and support are just a few reasons that many of the world's most respected companies use our products again and again.

Key Features

Wide Passage Width:	Bullet-style aluminum head and stainless steel arms are angled to provide a very comfortable patron passage width.
Hydraulic Arm Rotation:	Hydraulic self-centering arms, increase user safety and extend equipment life
Extremely Reliable and Quiet Operation:	Cutting-edge mechanics provide access control you can count on
Built-in Key Override Controls:	Quickly unlocks one or both directions for more flexible product use and easy authorized bypass access.
Bi-Directional Entry Control:	User definable entry control can be modified in the field at any time.
Easy Installation:	Cabinets ship fully assembled and ready to install.

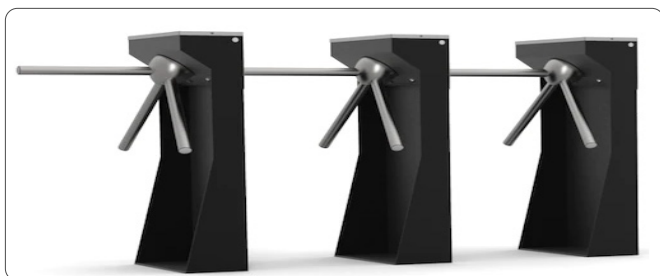


Available Models

SLT-3 (Manual)

Options

- Square or bullnose end (rounded) cabinets
- Color powder coat finishes in dozens of colors
- Card reader cutouts for flush mounting of credential readers
- Card activation / user status lights (flush installed in lid)
- Turnstile open / closed status lights (installed in end legs)
- Backup battery power
- Resettable and non-resettable counters
- GateWatch counting software



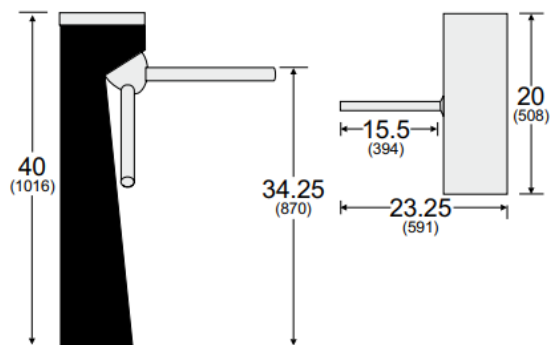
Certifications

The SLT waist high turnstiles are independently tested and certified by LA Testing Labs. They are also CE marked.

Complementary Products

VSG pedestrian security gates often accompany waist high turnstiles to facilitate delivery of material or bulky items.

Dimensions



Dimensions shown in inches (mm). All Measurements are approximate.