



## FIRSTLANE PLUS Outdoor Optical Turnstile

The FirstLane Plus swing door speed gate provides a high bidirectional throughput as well as uncompromising safety and security.

Thanks to its modern and elegant design, the FirstLane Plus is designed to integrate perfectly with any type of exterior architecture. Its high processing capacity and exclusive detection system ensures precise user tracking.

The FirstLane Plus products are modular and can be installed as a single or multiple lane configuration and combined with standard and wide passageways within the same configuration.

Its new dynamic lighting ensures a better user experience by offering a more intuitive information.

### Description

1. Robust and stable RoHS zinc-plated steel frame for better corrosion resistance.
2. Front panels in brushed AISI 304L stainless steel, with integrated dynamic orientation lighting.
3. For the high version: Laminate top cover with RFID logo(s) and status light(s) for intuitive usage. For the low version: Stainless steel top cover with reader screen(s) and status light(s) for intuitive usage.
4. Housing in brushed AISI 304L stainless steel.
5. 5/16 in. (8 mm) thick, anti-corrosion treated and painted steel obstacles, swinging in the direction of user passage.
6. Electromechanical drive units
7. Electronic control logic that ensures advanced passage flow management. A built-in Web server that can be accessed from any standard Web browser, which provides a simple interface for configuring the gate's functional parameters, and launching complete diagnostics and a maintenance tool. This maintenance interface is common in many Automatic Systems products and greatly facilitates product maintenance.
8. Data transfer with the outside world, via the XML-RPC communication protocol over an Ethernet interface.
9. Data transfer via dry contacts: passage authorization, passage data, fraud, technical defect, etc.

### Description cont.

10. Proprietary DIRAS detection system, consisting of a high-density matrix of infrared transmitter/receiver photocell beams. It follows users' progression through the lane, as well as ensuring their safety during opening/closing of the obstacles. The new detection algorithms guarantee top-class performance for detecting tailgating (even when people are very close to each other) and other types of fraud.
11. Wide dynamic orientation lighting indicating lane status and providing greater visibility ensuring an optimal throughput.
12. Dynamic status lights located near the reader notifies the user if they are authorized.
13. Side panels in 5/16 in. (8 mm) thick clear tempered glass.
14. The electronic cards are varnished in order to resist ambient humidity (condensation).

### Common Applications

- External entrances
- Amusement Parks
- Factories
- Distribution centers

### Key Features

Power Supply	Single phase 110 VAC (5A)-240 VAC (3A) (+/- 10%) - 50/60 Hz + Ground. 1
Consumption per lane	At rest: 40W In Operation: 85W Maximum: 150 W
Motors (x2)	24 VDC - output power 90 W
Passageway (L)	24 3/16 in. or 36 in. (615 or 915 mm)
Min. opening and closing times.	0.7 seconds (Depending on the size of the obstacles)
Ambient operating T°	+14°F to +122°F (-10°C to +50°C)
Ambient relative humidity in operation	< 95%, without condensation
MCBF	5,000,000 cycles, in compliance with recommended maintenance
Sound level	55 dB measured at 3 feet from the unit
Weight	Right Unit 185.2 lbs. (84 kg) 222.7 lbs.( 101 kg) Left Unit: Left Unit 176.4 lbs. (80 kg) 198.4 lbs. (90 kg) Intermediate Unit: 218.3 lbs. (99 kg) 255.7 lbs. (116 kg)
IP	44
Certification	UL2593 / CSA - C22.2 no. 247-92 (R 2008) certification pending



**Options**

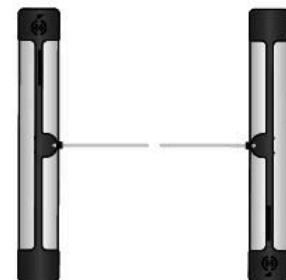
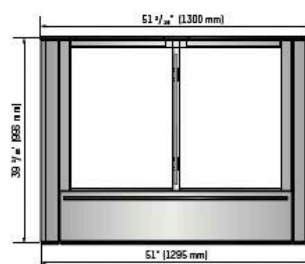
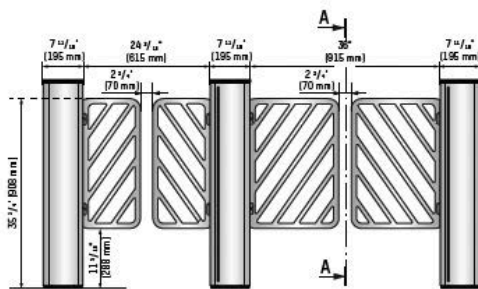
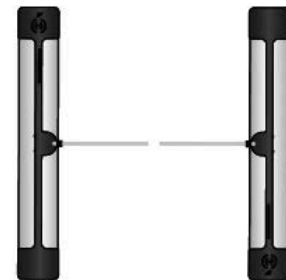
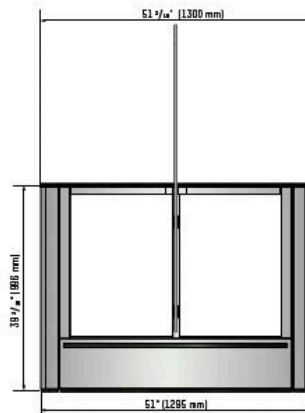
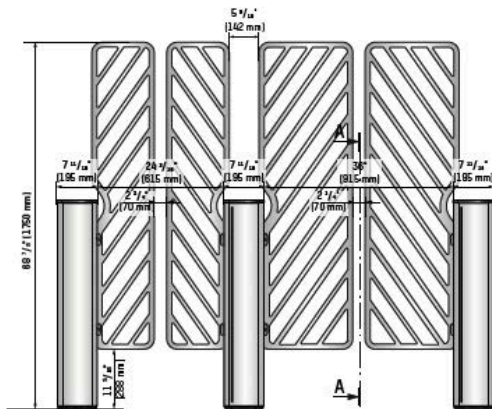
1. Wide obstacle [Height : 35 3/4 in., 68 7/8 in. (908 mm, 1750 mm)]
2. Additional ASI612 input/output board.
3. Additional ASI612 input/output board.
4. Ramps / raised bases.
5. Raised base
6. Smart & Slim control panel.
7. 'Smart Touch' configurable interactive control panel.
8. Heating for very cold climates [from -22°F to +122°F (from -30°C to +50°C)].

**Precautions for Use**

- For security reasons, children (users smaller than 39" tall) must be supervised by an adult at all times when in the vicinity of the unit and during passage through the lane.
- A child must absolutely precede the accompanying adult.

**Work to be Provided by Others (Not Supplied)**

- Performing the electrical interconnection and connections to the power grid.
- Performing the connections to the access control systems.
- Anchoring the equipment with the appropriate hardware for your floor type.



**FIRSTLANE PLUS - LOW**

