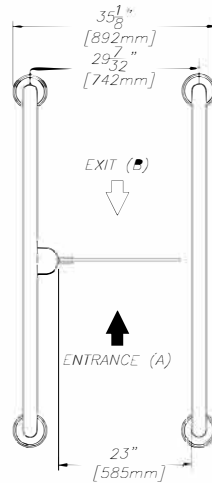
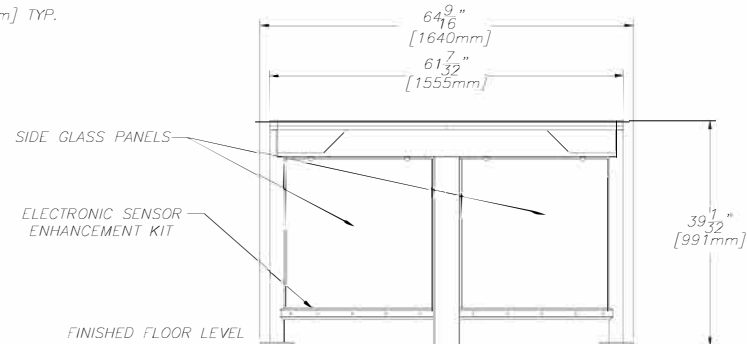
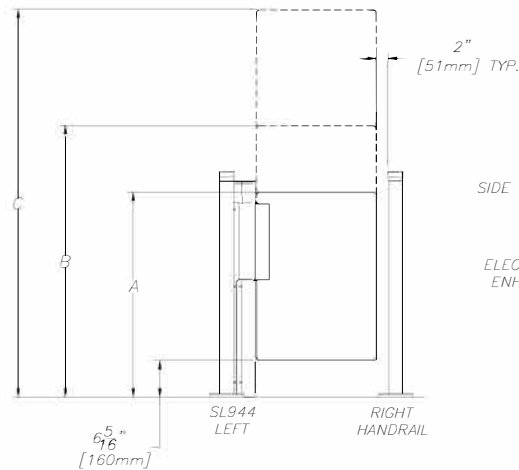


NO. DE DESSIN  
DWG. NO. **NAM-SLM944-IN-01-EN**



OBSTACLE HEIGHT		
A	35 7/16" [900mm]	STD
B	47" [1194mm]	OPT
C	67" [1702mm]	OPT



NOTE:  
1-FOR ELECTRICAL CONNECTIONS, CONDUITS AND TEMPLATE LAYOUT REFER TO NAM-SLM-EL-EN-03  
2-FOR READER DIMENSIONS REFER TO NAM-SLM-DS-01-EN-A

**AUTOMATIC SYSTEMS MAKES NO REPRESENTATION AS TO THE PROPER POSITIONING OF THE SECURITY ENTRANCE LINES AT THE INSTALLATION LOCATION. ESTABLISHING THE LAYOUT AND PLACEMENT OF THE UNIT(S) AND DETERMINING COMPLIANCE WITH THE APPLICABLE BUILDING CODES, OTHER CODES, LAWS AND REGULATIONS IS THE SOLE RESPONSIBILITY OF THE PURCHASER. INSTALLATION MUST BE PERFORMED BY A QUALIFIED INSTALLER FOLLOWING MANUFACTURER'S INSTRUCTIONS, OTHERWISE AUTOMATIC SYSTEMS' WARRANTIES MAY BE VOID.**

REV	DATE	MODIFICATIONS/CHANGES	PAR/BY

MATRIAU/MATERIAL	LES DIMENSIONS SONT EN POUCES / DIMENSIONS ARE I N INCHES	EBARBER & ENLEVER LES ARETES VIVES DWI SELON ASME Y14.5 1994. NE PAS MESURER SUR LE DESSIN	 AUTOMATIC SYSTEMS AIA GROUP
TRAITEMENT/TREATMENT	TOLERANCES XXX ± .005 XX ± .010 X ± .015 FNC ± .1/32 ANGLES ± 1/2° SAUF SI INDIQUEES UNLESS OTHERWISE NOTED	BREAK ALL SHARP EDGES AND CORNERS ALL DWI PER ASME Y14.5 1994. DO NOT SCALE DRAWING	
FINI/FINISH	LES INFORMATIONS CONTENUES SUR LES DESSINS DE ASA INC SONT CONFIDENTIELLES ET SONT L'PROPRIETE DE ASA INC. TOUTES REPRODUCTIONS, DISTRIBUTIONS OU UTILISATIONS SONT INTERDITES SANS LA PERMISSION DE ASA INC.	TITRE <b>INSTALLATION 1 LEFT SLIMLANE 944 WITH HANDRAIL</b>	FORMER / FILENAME <b>NAM-SLM944-IN-01-EN.DWG</b>
NB./NOTES	INFORMATION DISCLOSED HERE IS CONFIDENTIAL AND IS THE PROPERTY OF ASA INC. ANY REPRODUCTION, DISTRIBUTION OR USE IS PROHIBITED WITHOUT A WRITTEN CONSENT BY ASA INC.	ECHELLE/SCALE NTS B	NO. DE DESSIN/DWG. NO. 2013/01/24 DATE 1 REV 1
		DESSINE PAR JPS	VERIFIE PAR PWI