



CA CONTROLLED ACCESS, INC.
Turnstiles and ADA Gates

EX100-R Tripod Waist High Turnstile

Round end | Interior application

We're the #1 Choice of Top Architects, Security Pros and Engineers

For more than 30 years, Controlled Access has been the globally trusted name in pedestrian control equipment. Made in Ohio and shipped worldwide, we are the first choice of leading architects, facility managers, security consultants, and engineers. Whether your project requires high security full-height turnstiles, waist high units, or matching ADA accessible gates, Controlled Access is the secure choice. We're experienced in access control systems, from card readers to biometric scanning, to give you the power to control access.

The Executive™ Series is our premier interior application unit. It is ideal for prestige settings such as banks, offices, embassies, and museums. This highly versatile line can take on any look. It features our signature 304 stainless steel/No. 4 satin finish with a solid surface top to match your design needs

About Controlled Access:

Controlled Access manufactures the most reliable full-height turnstiles available. The High-Security Series units can be engineered to meet all your security and control requirements, and can be created as stand-alone units, or as part of an integrated system. Available in stainless steel (304 or 316), carbon steel with powder coating, or hot-dipped galvanized finish. These units can be fitted for any application with leading edge technology and features.

The Executive Series

Round End | Waist High Turnstile | Interior Application

Applications:

This interior application unit is designed for controlling the orderly flow of foot traffic in prestige settings such as banks, offices, embassies and museums.

Product Features:

Materials & Finishes:

- Lid: A solid surface (or wood) top with your choice of 12 standard colors selections. Custom colors and Corian® can be quoted
- Cabinet: Our signature 304 stainless steel/ No. 4 satin finish

Design & Construction:

- Designed for secure and reliable operation with aesthetics in mind
- Cabinet constructed of 304 stainless steel/ No. 4 satin finish
- Arms constructed of 1-5/16" (33.4mm) diameter (12 gauge) stainless steel
- Minimal exposed hardware

Dimensions:

- **Height:** 38.925" (988.7mm)
- **Width:** 23.437" (595.3mm)
- **Depth:** 36.750" (933.4mm)
- **Arm Length:** 15" (381mm)

* Dimensions are subject to change without notice

Operation Features

6500 Series Control Head:

- Auto-indexing (self-centering) with adjustable hydraulic shock suppression
- Hardened tool steel locking bars, cam and roller assemblies
- Permanently lubricated bearings
- Your choice of manual or electronic control on both directions
- Nearly universal integration to any number of access control systems
- Your choice on each electronic direction of locking or unlocking on power failure

Options:

- Bi-directional key overrides
- 8 digit key resettable LCD counter year lithium battery
- Daylight visible indicator lights
- Corian®, wooden or other alternate top choices outside of our standard selection
- **NEW!** Stainless steel round end tops now available
- Additional options available upon request

Warranty:

Units are warranted against defects in materials and workmanship for a period of one year from date of delivery. See warranty information for specific details.

Electrical Specifications:

Input Voltage: 100-240 VAC
Input Current: 1.3 - .55 A
Frequency: 50/60 Hz
Storage Temperature: -40 to 158°F
Operating Temperature: -4 to 131°F
Operating Voltage: 24VDC
Operating Current: 1.2 A (typical)

Standards and Codes:

Austenitic stainless steel:
ASTM A240, A249, A276

Hot rolled steel:
AISI C-1020, AISI C-1018

All fasteners provided meet IFI ANSI/
ASME Fastener Standards

American Welding Society (AWS)
Standard D 1.1



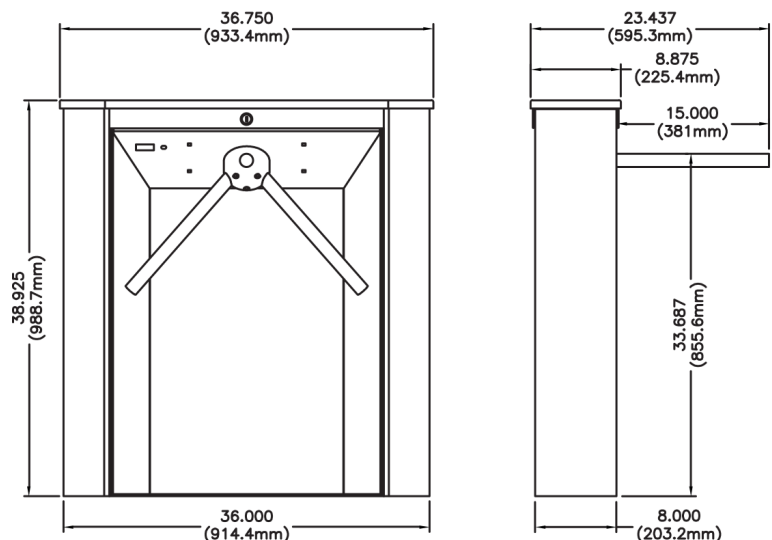
The 6500 Series Control Head is certified to conform to the following standards:
UL 294, UL 325, UL Subject 2593,,
4008027 CAN/ULC S319 & CSA
C22.2#247



Controlled Access Inc. is certified by Advantage International Registrar to be an ISO 9001:2015 company



Our matching ADA gate (EX100-R-ADA with optional motorization) is available for Executive Series.



* Dimensions are approximate