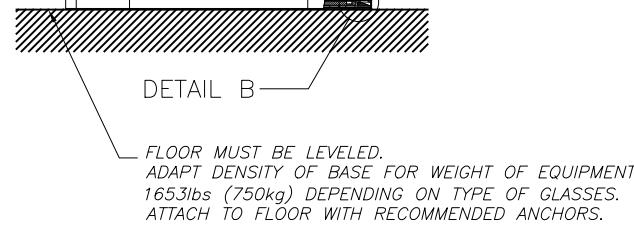
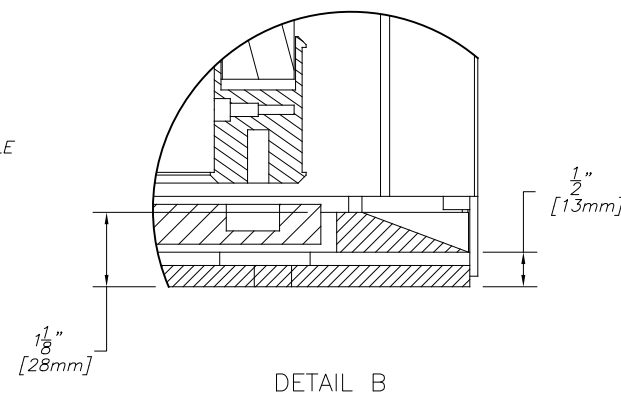
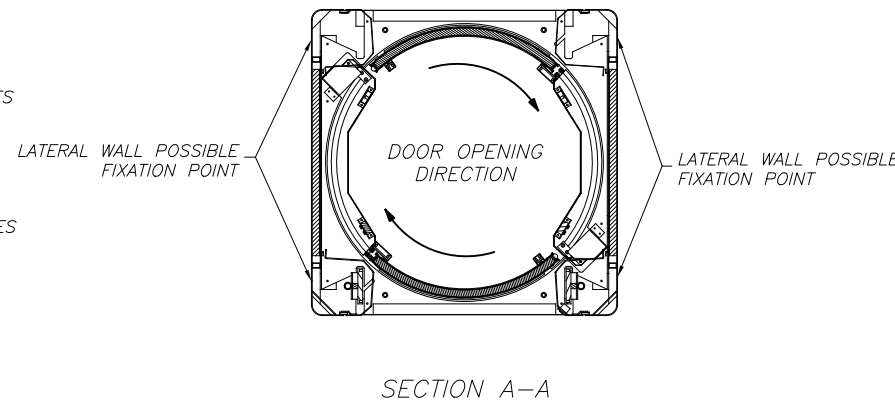
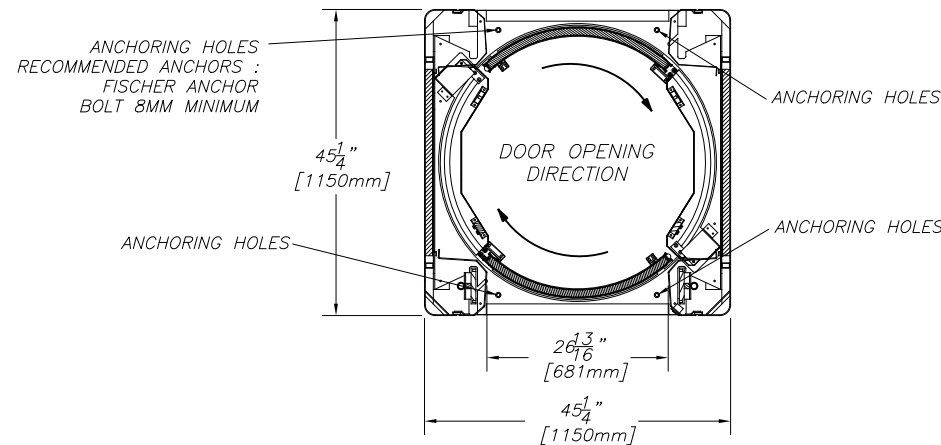
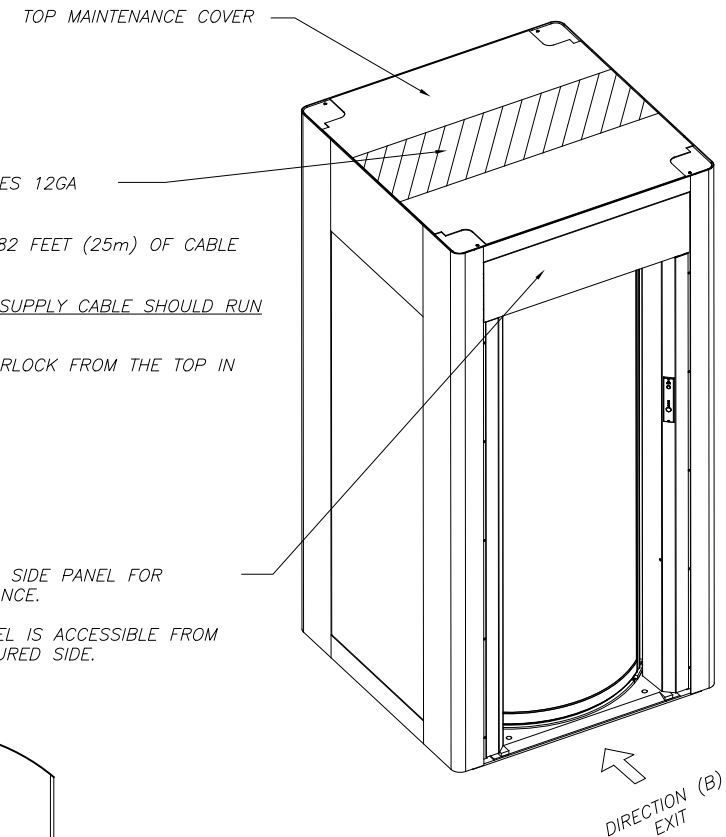


NOTE 1
THE TOP OF THE UNIT NEEDS TO BE ACCESSIBLE FOR MAINTENANCE.
IF THE AREA ABOVE THE UNIT NEEDS TO BE CLOSED, WE RECOMMEND THAT THE PANEL BE REMOVABLE.



POWER SUPPLY 120V MONO+GND 3 WIRES 12GA
CONTROL CABLES:
-CONTROL CONSOLE UNIT COMES WITH 82 FEET (25m) OF CABLE
-CARD READER (NOT SUPPLIED)
THE CONTROL CABLES AND THE POWER SUPPLY CABLE SHOULD RUN IN SEPARATE CONDUITS.
THE CONDUITS SHOULD ENTER THE CLEARLOCK FROM THE TOP IN THE HATCHED ZONE.



↑
DIRECTION (B)
EXIT
SECTION A-A

AUTOMATIC SYSTEMS AMERICA INC. MAKES NO REPRESENTATIONS AS TO THE PROPER POSITIONING OF THE CLEARLOCK AT THE INSTALLATION LOCATION. ESTABLISHING THE PLACEMENT AND LAYOUT OF THE DEVICES AND DETERMINING COMPLIANCE WITH THE APPLICABLE BUILDING CODES, OTHER CODES, LAWS AND REGULATIONS IS THE SOLE RESPONSIBILITY OF THE PURCHASER. INSTALLATION MUST BE PERFORMED BY A QUALIFIED INSTALLER FOLLOWING MANUFACTURER'S INSTRUCTIONS OTHERWISE AUTOMATIC SYSTEMS AMERICA INC.'S WARRANTIES MAY BE VOID.

| REV | DATE | MODIFICATIONS/CHANGES | PAR/BY |
|-----------|------------|-----------------------|--------|
| B | 2018/08/01 | TEXT CORRECTION | OHL |
| REVISIONS | | | |

| | | |
|---|--------------|---------|
| MATERIAU/MATERIAL | | |
| TRAITEMENT/TREATMENT | | |
| FINI/FINISH | | |
| NB./App. | POIDS/WEIGHT | SURFACE |
| LES INFORMATIONS CONTENUES SUR LES DESSINS DE ASA Inc. SONT CONFIDENTIELLES ET SONT LA PROPRIÉTÉ DE ASA Inc. TOUTES REPRODUCTIONS, DISTRIBUTIONS OU UTILISATIONS SONT INTERDITES SANS LA PERMISSION DE ASA Inc. | | |
| INFORMATION DISCLOSED HERE IS CONFIDENTIAL AND IS THE PROPERTY OF ASA Inc., ANY REPRODUCTION, DISTRIBUTION OR USE IS PROHIBITED WITHOUT A WRITTEN CONSENT BY ASA Inc. | | |

| | |
|--|---|
| LES DIMENSIONS SONT EN POUCES / DIMENSIONS ARE IN INCHES | EBARBER & ENLEVER LES ARÊTES VIVES. DIM SELON ASME Y14.5 1994. NE PAS MESURER SUR LE DESSIN |
| TOLERANCES | BREAK ALL SHARP EDGES AND CORNERS. ALL DIM PER ASME Y14.5 1994. DO NOT SCALE DRAWING |
| .XXX ± .005 | |
| .XX ± .010 | |
| .X ± .015 | |
| FRAC. ± 1/32 | |
| ANGLES ± 1/2° | |
| SAUF SI INDIQUÉS UNLESS OTHERWISE NOTED | |

AS AUTOMATIC SYSTEMS

FICHER / FILENAME
NAM-CL646-IN-01-EN.DWG

| | | | | | |
|---|----------------------------------|--|--------------------|--------------------|------------|
| TITRE IMPLEMENTATION LAYOUT CLEARLOCK 646 | ECHELLE/SCALE N/A | FORMAT/SIZE B | DATE 2016/08/30 | FEUILLE/SHEET 1 | DE/OF 1 |
| DESSINÉ PAR DRAWN BY OHL | VÉRIFIÉ PAR CHECKED BY SSA | NO. DE DESSIN/DWG. NO. NAM-CL646-IN-01-EN | | REV B | |