



Now available through Sunbelt Rentals Sunbelt Priority Support

888-707-2486



Pegasus 200

Portable Full Height Tandem Turnstile

Common Applications

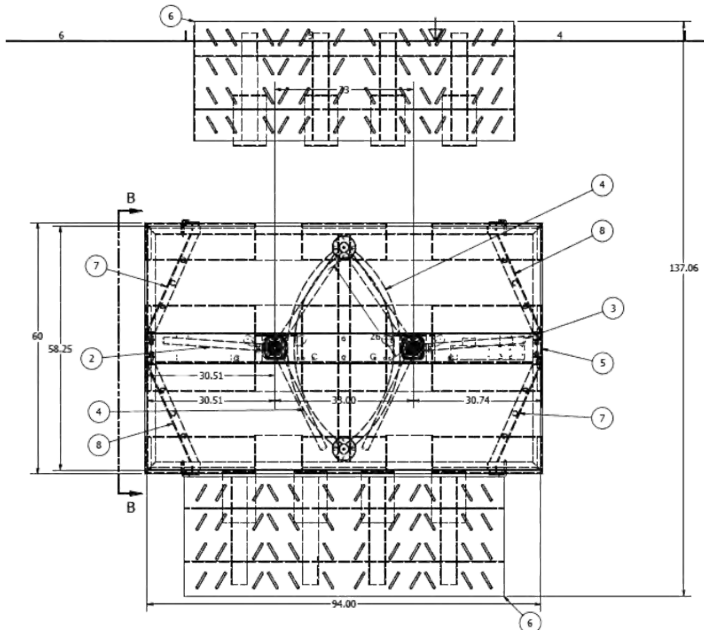
- Perimeter control/fence line security
- Time and attendance integration
- Loss prevention
- Employee and visitor access control
- Unmanned point of entry
- Single-direction traffic control/one-way exiting

The Pegasus 200 Portable Full Height Turnstile derives its operational strength from the renowned Alvarado MST, a pinnacle of trust, security, and reliability within the industry. Seamlessly combining these attributes, the turnstile ensures optimal performance and a robust access control solution.

Crafted with precision, the Pegasus 200 Portable Full Height Turnstile stands as a testament to Alvarado's commitment to innovation and quality. The turnstile is designed to provide ease of installation without compromising efficiency, enabling deployment in a multitude of locations nationwide.

Options

- Collapsible Ramps
- Module Linking Package
- Pathway Lighting
- Safety Sleeves
- Alternative card readers available to be implemented upon request

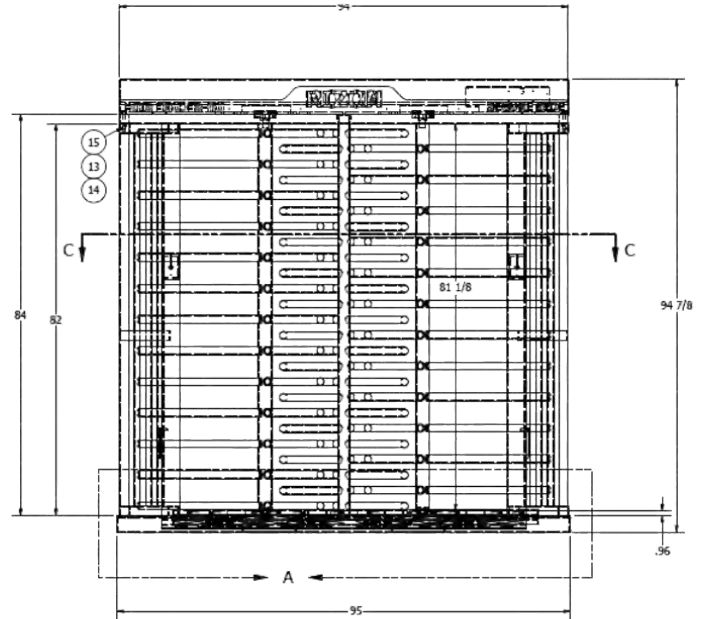


Operating Modes

Card in/card out; card in/free exit; free entry/
free exit exit only

Available Finishes

Electro-static Applied Acrylic Urethane coating
with Anti-Slip walkway.



Electrical

Peak Consumption: 110 or 240VAC, 50 - 60Hz 130W Operational Voltage: VDC, 12/5

Dimensions

Height: 97.495"
Width: 60"
Width with Ramps: 116"
Length: 100"

