



## **GUNNEBO®**

### **SpeedStile FP DS**

Full panel speed gate for internal installation

SpeedStile DS series uses exciting new materials and a selection of finishes and lighting effects. A new stylish and flexible design able to virtually blend infinite aesthetics within architectural interior needs, still including security features and performances from Gunnebo experience. Applications are wherever high aesthetics is a must.

#### **Mode of Operation Normally Closed**

Passage in one or both directions is electronically controlled. On receiving a signal from the access control system, or remote control, the wings open (Normally Closed NC). If an unauthorised person tries to tailgate or attempts to enter from the opposite direction, the in-built alarm system is activated. If within the pre-set timeout no passage has occurred the lane will close and reset.

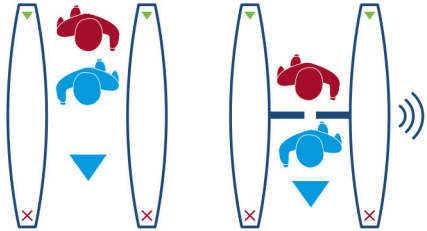
#### Applications include

- Government
- Finance, Banking
- Retail
- Telecommunications
- Information Technology
- Publishing
- Leisure
- Education...

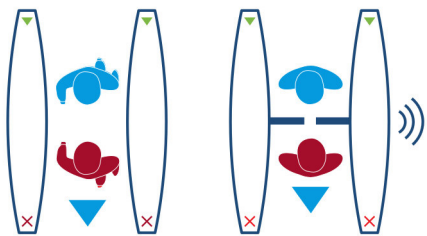
## Security Features

Fraud Detection through sophisticated and proven algorithm

- Intrusion
- Tailgating
- Piggybacking
- Wrong way direction
- Leave aisle timeout



Tailgating and piggybacking detection



Wrong way and intrusion detection

## Safety Features

- Safety force sensing
- Safety rubber edges
- Accurate presence sensing
- Emitter/receiver infrared sensors technology
- Logic voltage 24 Vac
- Voltage free contact input for Fire Alarm fail state
- Fail-Safe mechanical opening (option)
- Fail-Safe via battery back-up opening (option)
- Wide walkway for wheel chair or easier access
- Accompanied wheelchair or child passage management
- For security and safety reasons children must be supervised by an adult at all times in the vicinity of an active lane. Any child being escorted through the lane must always precede the accompanying adult during passage.

## Illuminated Symbols

Steady light=Normal use. Flashing light=Alarm conditions



Green Arrow

**Steady:** Authorised use or designated free passage. Proceed through the unit.

**Flashing:** Emergency/Fire exit.

Red Cross

**Steady:** Unit in use or no passage. Passage not authorised.

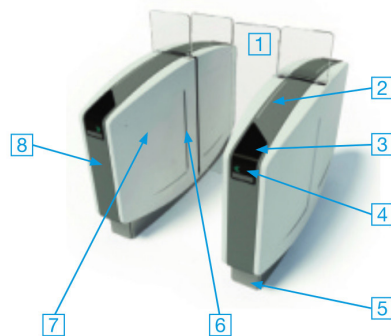
**Flashing:** Alarm, fraudulent condition or technical alarm.

LED way-mode indicators flush mounted within the end leg, with illuminated symbols. LED red-green indicators horizontal and vertical into the walkway. LED strips illuminating the plinth (option).



## Finishes

DS series includes applied chrome mirror finishing for the cabinet plinth and applied Grey Aluminium for the inlay, technopolymer sides pearl white gloss finish, wings 12mm toughened glass with rubber safety edge



1. Wings height: 1.2 or 1.8m
2. LED passage lights
3. Card reader integration
4. LED way mode indicator
5. Mirror polished plinth
6. LED vertical status lights
7. Side panels
8. Top and End Leg inlay

### Optional finishes for side panels



Gloss RAL 2009 Traffic Orange    Gloss RAL 1015 Light Ivory    Gloss RAL 3003 Ruby Red    Gloss RAL 5017 Traffic Blue

### Applied finishes for Lid and End Legs inlay



Gloss RAL 7012 Basalt Grey    Gloss RAL 9016 Traffic White    Matt RAL 9003 Signal White    Matt RAL 9007 Grey Aluminium

White or Black  
Carbon fibre effect,  
Dark Mahogany  
effector Light Maple  
effect.



Matt RAL 8028 Terra Brown    Matt RAL 9004 Signal Black    Matt RAL 9005 Jet Black

## Design/Construction

DS series modern and stylish design, steel frame construction with robust technopolymer shells and inlay to allow a vast selection of finishes and customisation. Short cabinet length (N/C): 1.2m panel height or 1.8m panel height

Standard passage way 550mm and Wide passage (900mm) available. Available also as Combi – centre cabinet with narrow (550mm) passage in one side and wide (900mm) passage on the other side.

In order to create a lane it is necessary to have one right and one left cabinet. To create more than one lane, use one or more centre or combi cabinets. Select cabinets according to the number of lanes and passage width desired.



1. Left Cabinet 2. Right Cabinet 3. Centre Cabinet  
4. Left Wide Cabinet 5. Right Wide Cabinet 6. Centre Left Wide Cabinet  
7. Centre Right Wide Cabinet 8. Centre Wide Cabinet



Two lane configuration comprising of 1N°L, 1N°C and 1N°R cabinets (left), and N°1 LW, 1N°CLW and 1N°R cabinet (right).

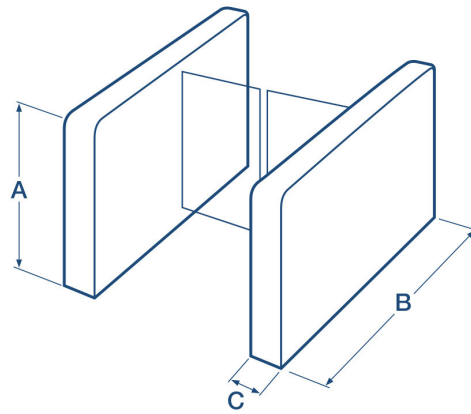
## Options & Accessories

- DS series finishes and materials
- Battery back-up
- LED lighting effects
- Digital LCD counter
- Card reader integration
- Remote control systems

## Access Specifications

Flow rates by type of reader

- **Insertion Type:** 20 passages per minute
- **Swipe type:** 30 passages per minute
- **Proximity type:** 40 passages per minute



## Dimensions & Weights

|                     | Overall Height | Passage Width | A Cabinet Height | B Cabinet Length | C Cabinet Width | Weight (kg) Side Cabinet | Weight (kg) Centre Cabinet |
|---------------------|----------------|---------------|------------------|------------------|-----------------|--------------------------|----------------------------|
| Standard short lane | 1200/1800      | 550           | 950              | 1448             | 300             | 170                      | 220                        |
| Wide short lane     | 1200/1800      | 900           | 950              | 1448             | 490             | 185                      | 240                        |

Dimensions in (mm). Weight net (kg). Might require lifting equipment. For details refer to installation detail drawings

## Installation & Maintenance

| Product Delivery | Application | Site Preparation <sup>1</sup>       | Cabling & Conduits <sup>2</sup> | Control Board Location       | Systems Integration <sup>5</sup> | Systems Integration <sup>5</sup>     | Maintenance Access     | MTTR <sup>3</sup>    | MCBF <sup>4</sup> |
|------------------|-------------|-------------------------------------|---------------------------------|------------------------------|----------------------------------|--------------------------------------|------------------------|----------------------|-------------------|
| Fully assembled  | Indoor      | Flat & level finished floor +/- 5mm | Through the ground              | In master SpeedStile cabinet | interface I/O RS232 RS485        | Settings programmable via parameters | Through lateral panels | Less than 30 minutes | 4 million         |

1. Bolting depth MIN 70mm, concrete MIN fckcube30N/mm<sup>2</sup> resistance, MIN 1500 mm x 500 (750 for wide and combi) x 150 mm deep. 2. Running MIN 140mm below finished floor level, should rise MIN 50mm from foundation. 3. Mean time to repair. 4. Mean cycle between failure. 5. Potential free contact for card reader input. New Electronic Platform with in-built RS485 and COM1 switching interface.

## Installation & Maintenance

| Power Supply             | Power Rating | Power Rating       | Battery Backup                          | Fire Signal                    | Operating Temperature               | IP Rating | Noise Level                 |
|--------------------------|--------------|--------------------|---|--------------------------------|-------------------------------------|-----------|-----------------------------|
| 230Vac 50Hz <sup>1</sup> | 2VA Stand by | 345VA In operation | For 1 last operating cycle <sup>2</sup> | Input for voltage free contact | +5°C to + 40°C RH 95% No condensing | IP20      | Less than 55dB <sup>3</sup> |

1. 115Vac 60Hz also available on demand. 2. Option 3. Note: Average background noise in office environment is 50-55dB