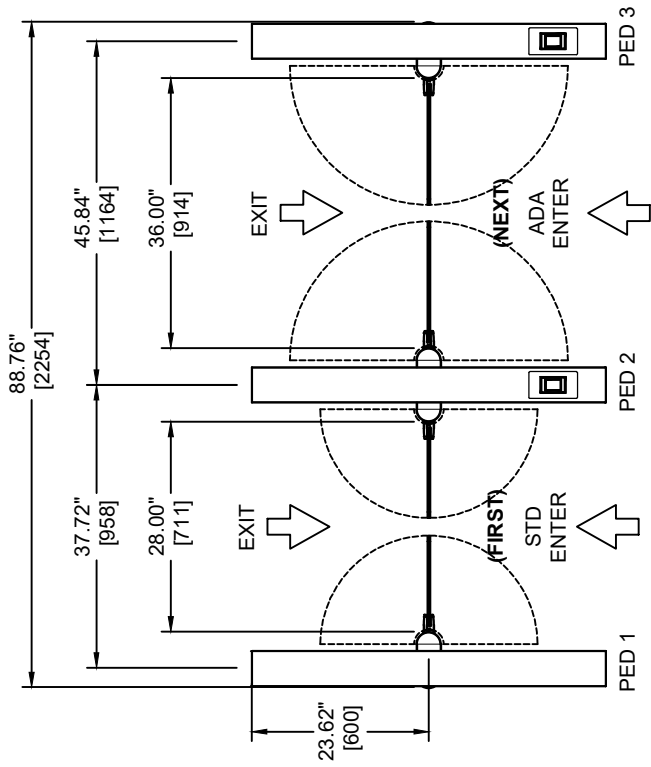


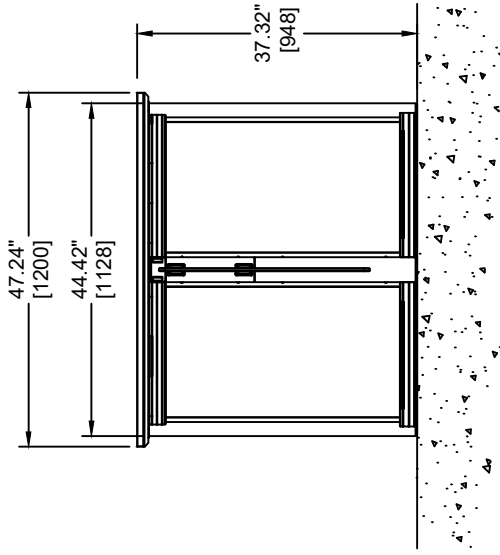
# 2L / 3P SPEEDSTILE FLS BA

CARD IN / FREE EXIT

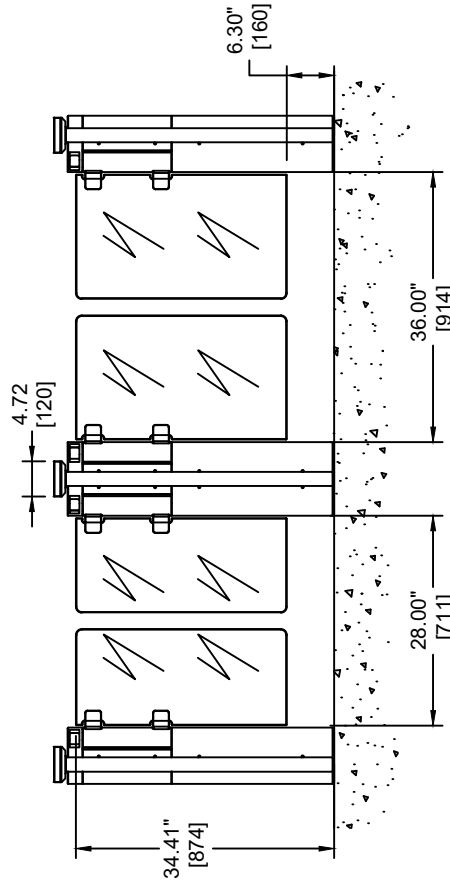
Approved By: \_\_\_\_\_  
Date: \_\_\_\_\_



**PLAN VIEW**



**SIDE VIEW**



**ELEVATION VIEW**

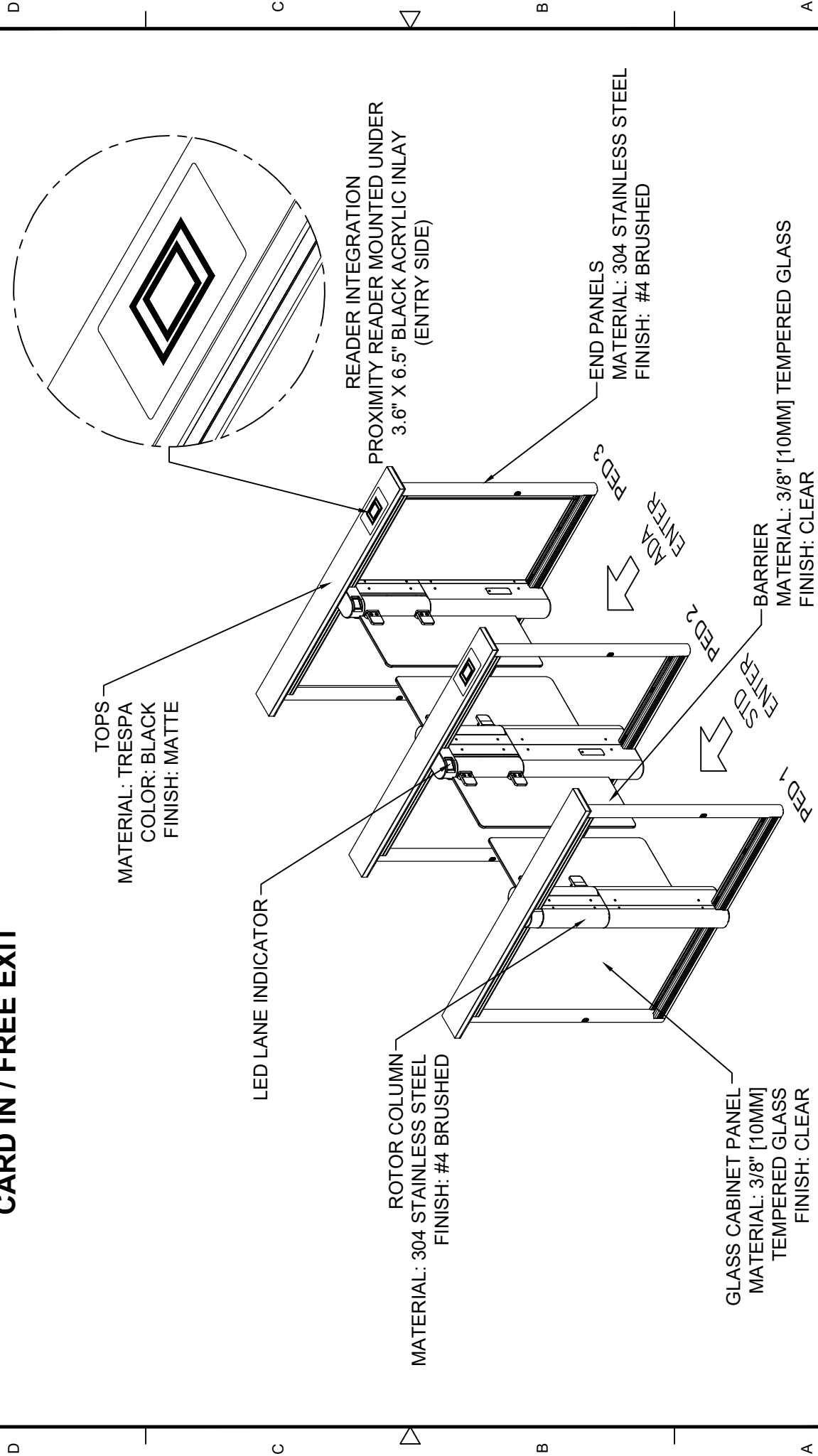


Job Name: \_\_\_\_\_  
Job No: PROPOSAL \_\_\_\_\_  
Title: 2L / 3P SPEEDSTILE FLS BA  
Date: 07/26/18  
Scale: NTS  
Drawn By: EC  
Dwg No. SHT-1 (REV.)

© 2008 This document is the copyright of GUNNEBO ENTRANCE CONTROL, Inc. Information on this document is confidential and cannot be copied or disclosed in whole or in part without the express written consent of GUNNEBO ENTRANCE CONTROL, Inc.

# 2L / 3P SPEEDSTILE FLS BA

CARD IN / FREE EXIT



Approved By: \_\_\_\_\_

Date: \_\_\_\_\_

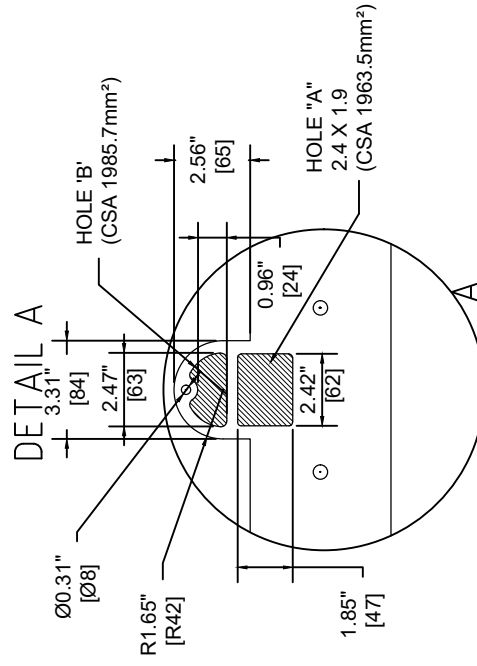
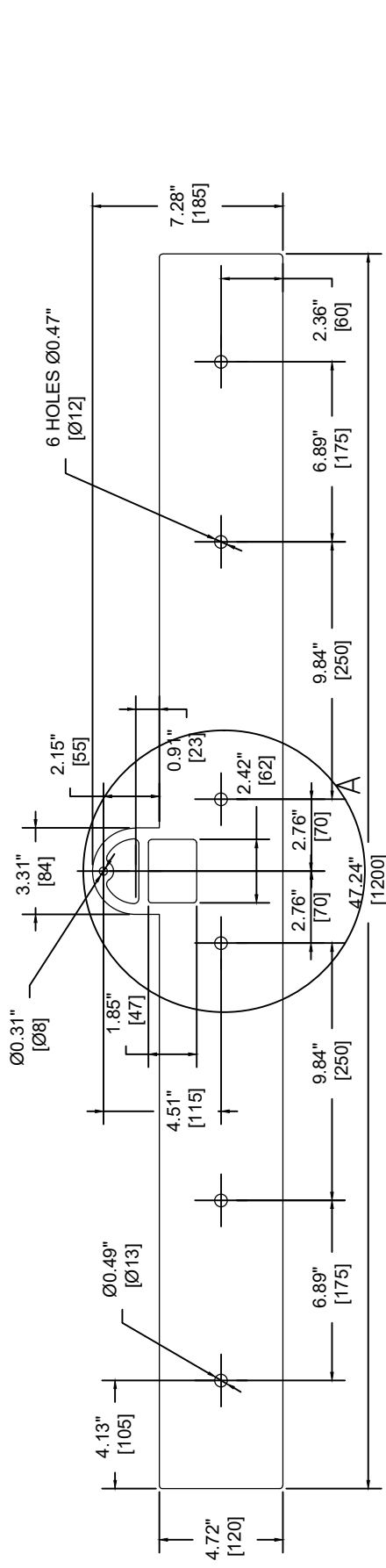
Job Name: _____		Date: 07/26/18
Job No: PROPOSAL		Scale: NTS
Title: 2L / 3P SPEEDSTILE FLS BA		Dwg No. SHT-2 (REV.)
Drawn By: EC		



© 2018 This document is the copyright of GUNNEBO ENTRANCE CONTROL, Inc. Information on this document is confidential and cannot be copied or disclosed in whole or in part without the express written consent of GUNNEBO ENTRANCE CONTROL, Inc.

# MOUNTING TEMPLATE

(END PEDESTAL)



1" CONDUIT DATA (CABLES)

1" CONDUIT MAINS(CABLES)

M10 STUD CLASS (8.8) 200MM LENGTH  
MIN FLOOR FIXINGS REQUIRED 10 OFF

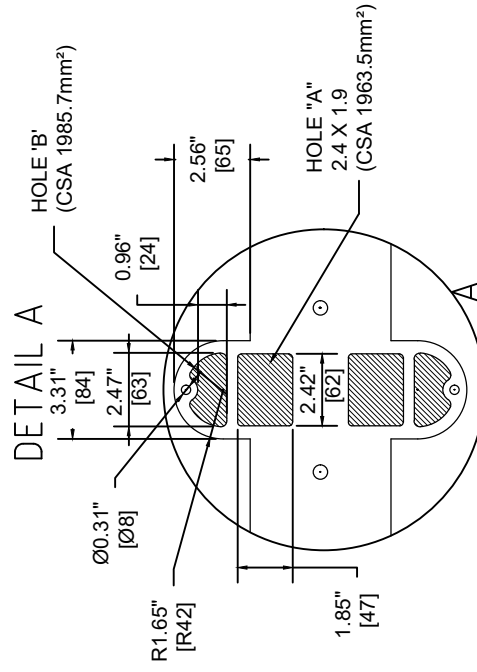
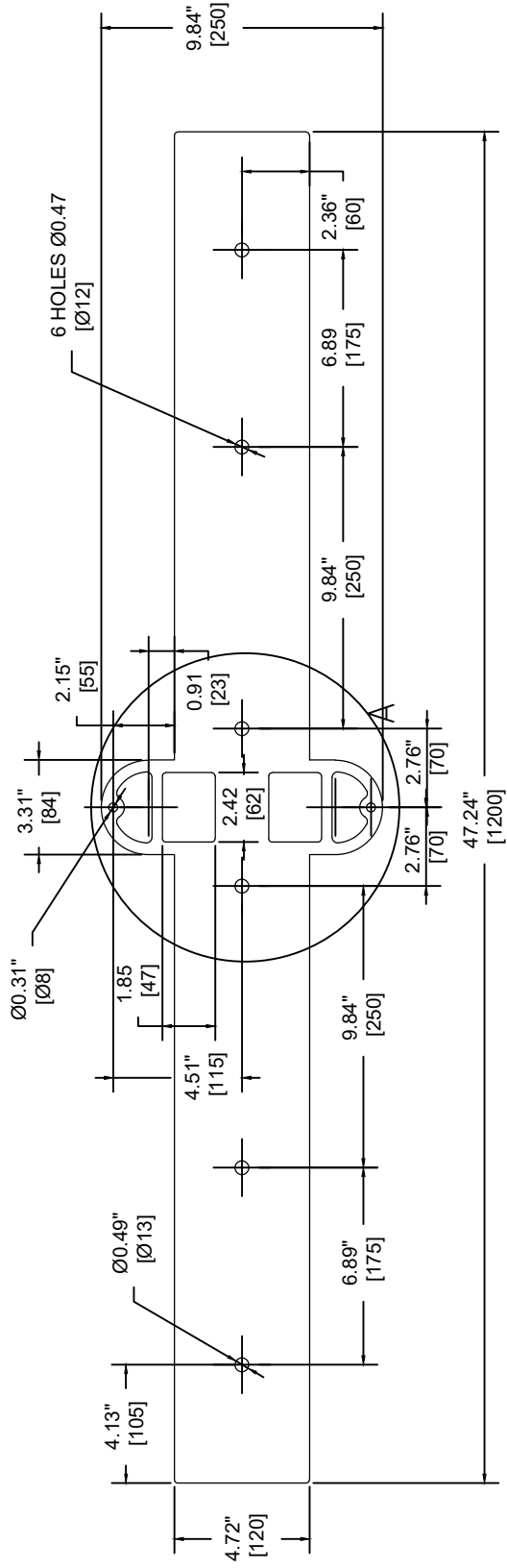
Job Name:	Date: 07/26/18
Job No: PROPOSAL	Scale: NTS
Drawn By: EC	Dwg No. SHT-3 (REV.)
Title: SPEEDSTILE FLS TEMPLATE - (END PEDESTAL)	



© 2008 This document is the copyright of GUNNEBO ENTRANCE CONTROL, Inc. Information on this document is confidential and cannot be copied or disclosed in whole or in part without the express written consent of GUNNEBO ENTRANCE CONTROL, Inc.

# MOUNTING TEMPLATE

## (CENTER PEDESTAL)



1" CONDUIT DATA (CABLES)

1" CONDUIT MAINS(CABLES)

M10 STUD CLASS (8.8) 200MM LENGTH  
MIN FLOOR FIXINGS REQUIRED 10 OFF

Job Name:	Date: 07/26/18
Job No: PROPOSAL	Scale: NTS
Drawn By: EC	Dwg No. SHT-4 (REV.)
Title: SPEEDSTILE FLS TEMPLATE - (CENTER PEDESTAL)	



© This document is the copyright of GUNNEBO ENTRANCE CONTROL, Inc. Information on this document is confidential and cannot be copied or disclosed in whole or in part without the express written consent of GUNNEBO ENTRANCE CONTROL, Inc.