



Gunnebo RevoLite

Power Assisted Full-Height Turnstile for Internal Installation

RevoLite is an elegant and transparent full-height turnstile with power-assisted movement with three (120°) rotor elements.

Upon receipt of a valid signal, after being manually pushed to start motion, the rotor will automatically rotate for the remainder of the movement to allow passage.

The non-passage zone is monitored by sensors which will detect and prevent passage by reversing the direction of movement to allow the unauthorised user to exit.

An advanced Anti Piggy Backing (APB) detection option can be added in order to enhance prevention of multiple users passing through in the same sector.

The RevoLite is available in 1500 and 1800mm diameters and also available with an extended passage height.

All configuration of parameters and functionality is carried out via a user friendly graphical interface via PC or optional tablet.

The RevoLite is delivered either fully assembled or in kit form and is installed directly to finished floor level or is optionally available with a painted steel base.

In the event of an emergency or power-off scenario, the unit can be configured fail-safe i.e. rotor freely rotates or fail-lock i.e. rotor locks. This option is available either in one or both directions of passage.

Technical Specifications

Drive

Power assisted movement by use of Brushless DC motor.
Logic Voltage 24V DC.

Materials

Casework: Aluminium

Glass Infill: 8mm laminated glass panels

Ceiling: Laminated HPL finished Pearl Grey in Passage area. Plexiglass (black) in non-passage area

Rotor Wings: Aluminium frame with 8mm laminated glass panels

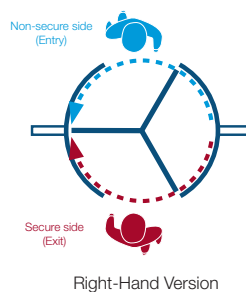
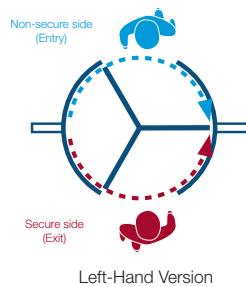
Rotor Column: Aluminium

Power Failure / Fire Alarm

The rotor wings remain locked in the fail-lock configuration or can freely rotate in the fail-safe configuration. Fail-Lock or Fail-Safe configuration is available in one or both directions and must be specified at time of order placement.

Models

- RevoLite 1500
- RevoLite 1800
- Left Hand Version
- Right Hand Version



Technical Data

Dimensions	See details on next page
Power Supply	230Vac 50 Hz or 115Vac 60 Hz
Power Rating	Max 240W
Operating Temperature	0 to +45°C (RH 20 - 90% not condensing)
IP rating / MCBF / MTTR	IP 21 / 1.5M cycles / less than 30 min
Flow Rates (approximate figures):	Insertion Type Reader: 12 passages per minute Swipe Type Reader: 15 passages per minute Proximity Reader: "Hands Free": 17 passages per minute

Options

Alternative colours and finishes

Increase passage height (2.3m)

Painted steel base with Linoleum

High performance anti-piggybacking

Card reader integration

Traffic Lights

Wi-fi interface and tablet control

Benefits

- Elegant and transparent design
- Delivered in kit form or fully assembled

Applications

Government

Retail

Finance

Telecommunications

IT

Banking

Publishing

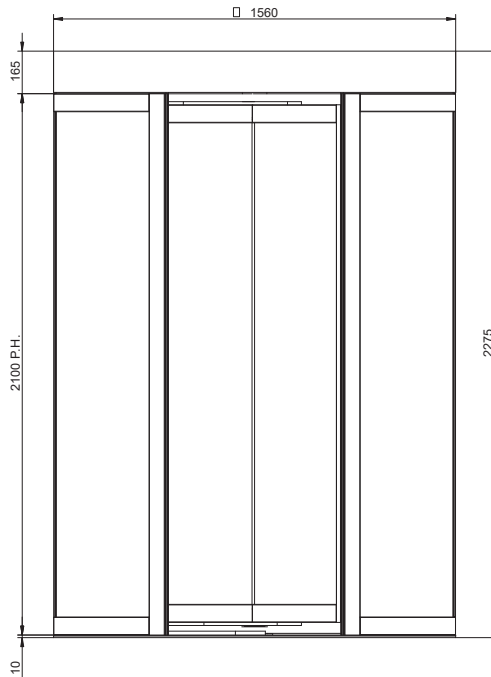
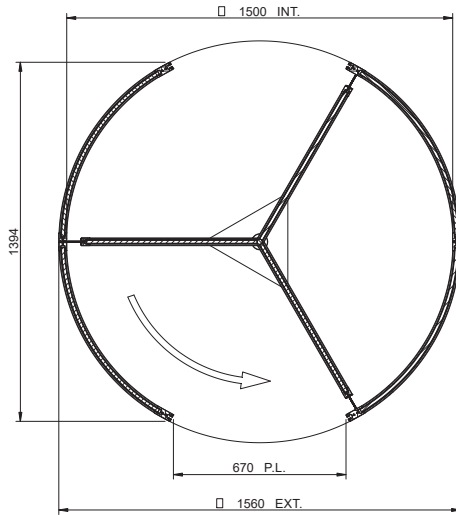
Leisure

Petrochemical

Education...

SITE PREPARATION: 1500mm Unit Diameter

Product is delivered in a kit form and requires lifting equipment.
Approx. weight: 450Kg (For installation details, please refer to the installation manual).

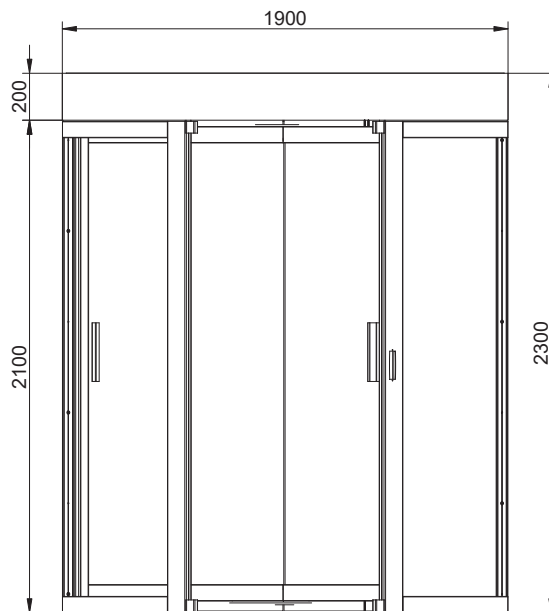
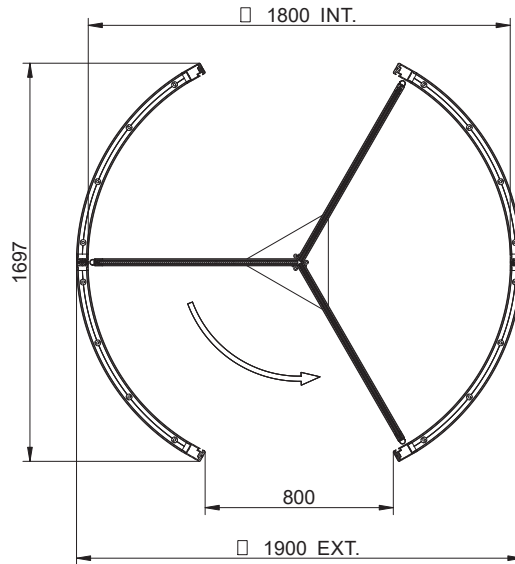


Concrete Base to specification at least fck (cube) 30N/mm² of resistance. Base to be flat and level to +/- 5mm over footprint area. Dimensions to be > 1750 x 1750 x 150 deep min. (units in mm).

Important: Any horizontal pipe or conduit running below the Revolite must be at least 140mm below FFL. Metal conduit for cables should be raised at least 50mm from foundation. It is the customer's responsibility to ensure the structural integrity and strength of the installation location. The dimensions given in this Product Data Sheet are for information only. In order to prepare the installation site, please refer to your usual Gunnebo Customer Service contact.

SITE PREPARATION: 1800mm Unit Diameter

Product is delivered in a kit form and requires lifting equipment.
Approx. weight: 630Kg (For installation details, please refer to the installation manual).



Concrete Base to specification at least fck (cube) 30N/mm² of resistance. Base to be flat and level to +/- 5mm over footprint area. Dimensions to be > 2050 x 2050 x 150 deep min. (units in mm).

Important: Any horizontal pipe or conduit running below the RevoLite must be at least 140mm below FFL. Metal conduit for cables should be raised at least 50mm from foundation. It is the customer's responsibility to ensure the structural integrity and strength of the installation location. The dimensions given in this Product Data Sheet are for information only. In order to prepare the installation site, please refer to your usual Gunnebo Customer Service contact.

RevoLite 1500



RevoLite 1800



Safety Features

Power failure: in case of power failure the turnstile can be configured:

- Exit entry blocked
- Entry blocked free exit
- Exit blocked free entry
- Impact: the product was manufactured in compliance with EN16005. In case the person in transit is hit by the rotor, the pushing force exerted on the person before stopping is far below the 150 Nm mandated by the standard itself.
- Emergency: in the event of an emergency alarm such as fire or evacuation, the turnstile, through a special command, frees the rotation so that the passage can take place freely.

Operating Modes

The RevoLite is programmed to work in the modes:

- Controlled entry and exit
- Controlled entry, free exit
- Free entry, controlled exit
- Free entry and exit
- Entry and exit blocked

Operating modes can be selected by:

- Permanent contact closure in case the turnstile has permanent functional mode.
- Console with key selectors for setting functions (Option)
- Through tablet / PC / Smart phone (Option)

Gunnebo RevoLite



Take advantage of our knowledge:
www.gunneboentrancecontrol.com

GUNNEBO®